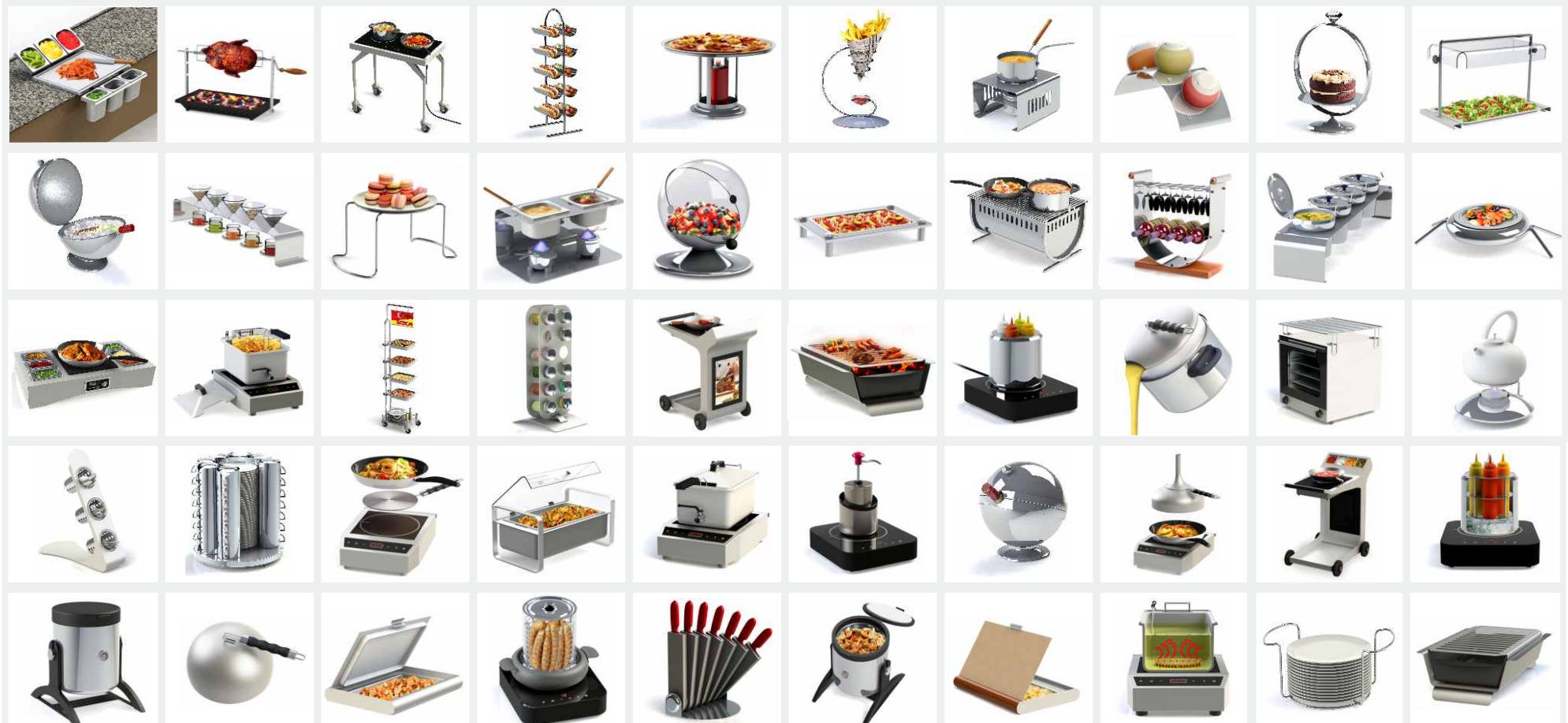


PRODUCT DESIGN AND DEVELOPMENT

Book 4



Contents

Induction Frying Tank	4 - 6	Cone and Sauce Holder	57 - 58
Sausage Steamer Pot	7 - 9	Pizza Warming and Serving Plate	59 - 61
Induction Sauce Bottle Warmer Pot	10 - 12	Hotdog Holder	62 - 63
Induction Sauce Dispenser Pot	13 - 14	Trolley for Drop In Induction Hob	64 - 65
Tabletop Charcoal Grill	15 - 17	Mini Charcoal Rotisserie	66 - 68
Gastronorm Food Box	18 - 20	Tea Infusing Bridge	69 - 70
Cooking Trolley with LCD Adv. display	21 - 22	Cake Stand	71 - 72
Warm Keeping Chafer	23 - 25	Ice Food Tray	73 - 74
Induction Interface Disk	26 - 27	Squeeze Sauce Bottle	75 - 78
Pan Lid with Steam Hole	28 - 29	Wine Cooler Sphere	79 - 80
Food Pan Cover with Pour Spout	30 - 31	Wine and Glass Holder	81 - 82
Teppanyaki Grill Cover	32 - 33	Food Warmer	83 - 86
Double Wall Food Storage Container	34 - 36	Fondue (EF-01, EF-02)	87 - 89
Spice Rack	37 - 38	Fondue (SL-01, SL-02)	90 - 93
Oven Rack	39 - 40	Chopping Board Frame	94 - 95
Food Display Trolley	41 - 43	Serving Plate Stand	96 - 97
Cup and Sauce Holder	44 - 45	Glass Sphere Food Display	98 - 99
Cutlery Holders and Stand	46 - 49	Soup Pot Stand	100 - 101
Foldable Knives Holder	50 - 51	Food Display with Covering	102 - 103
Tea Warmer	52 - 54	Food Display Stand	104 - 105
Induction Cooking Station	55 - 56		

Induction Deepfrying Tank



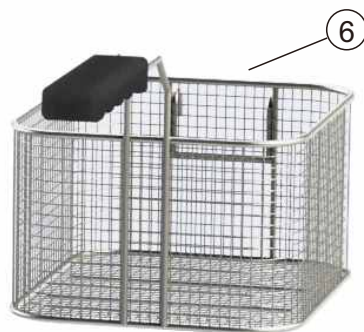
There is an induction plate in the oil tank that is activated by the oscillating magnetic field generated by the induction cooker. The activated induction plate dissipates heating energy which is immediately absorbed by the oil.

Temperature of the oil is detected by the temperature probe of the induction cooker.

Features

- Very high efficiency as the heat generated by the induction plate is immediately and completely absorbed by the oil
- Ceramic tank that will not act as a shield to the oscillating magnetic field, so the magnetic field can activate the induction plate
- Convenient to be used, as this device can be operated with normal induction cookers which accompany with a temperature probe (available in the market)

Induction Deepfrying Tank



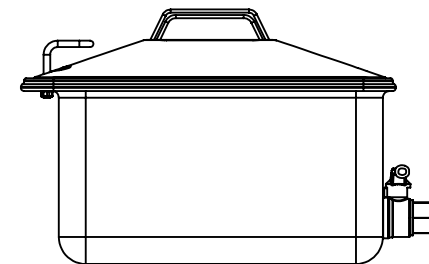
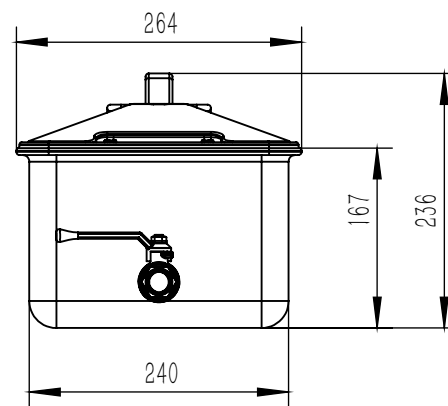
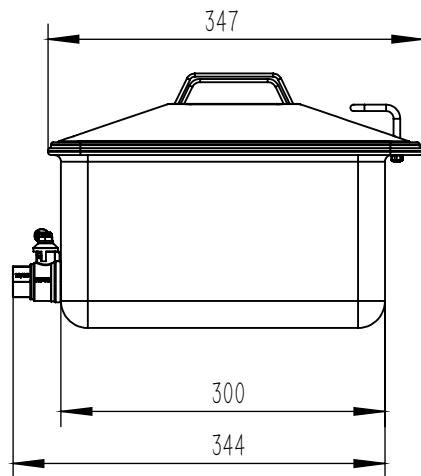
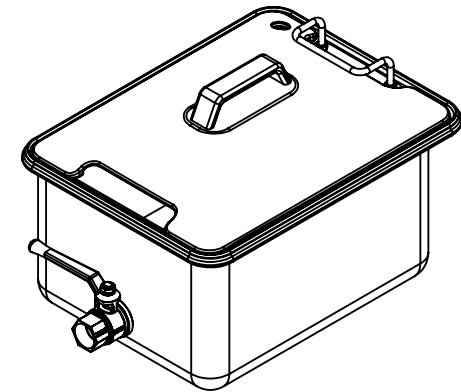
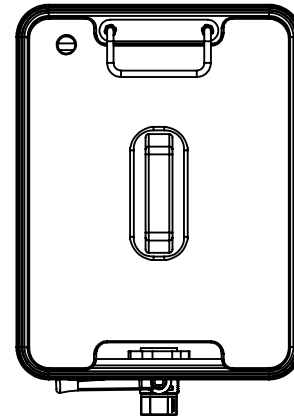
No.	Part
1	Cover (ceramic)
2	Grid (ceramic)
3	Induction plate (430 SS)
4	Oil tank (ceramic)
5	Oil valve
6	Frying basket



Model	IDT-8L
Description	Induction deepfryer tank
Capacity	8 L
Oil tank	300 x 240 x H 167mm (not incl. valve)
Product	344 x 240 x H 236mm

Model IDT-8L
Tabletop Charcoal Grill

Dimension



Sausage Steamer Pot



This Sausage Steamer Pot lets you to have your Hot Dog machine by using it with an Induction Hob (or other electric heating device). The design is for professional use.

This device allows you to instantly and easily heat up sausages, the heated water for the hot dog unit is heated up and converted to steam. Your sausage is firm and clear and respects the performance of your product by slowly cooking it.

Model	SSPS-01
Description	Sausages Steamer Pot
Glass	Dia 192 x H 224 mm
Bottom dia.	232mm
Product	568 x 285 x H 290mm

Sausage Steamer Pot



Features

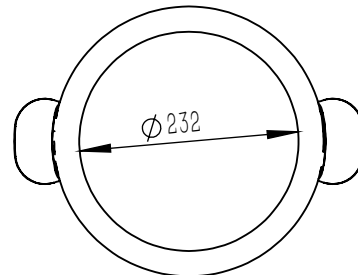
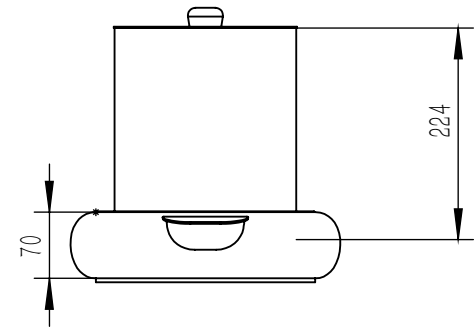
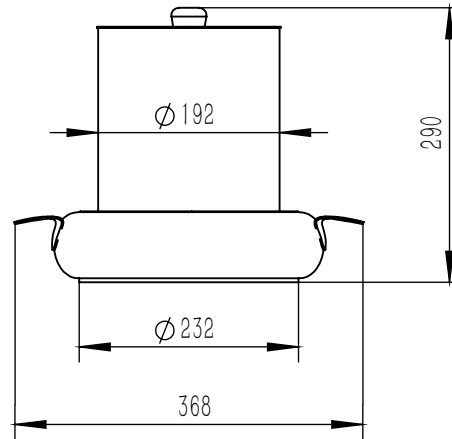
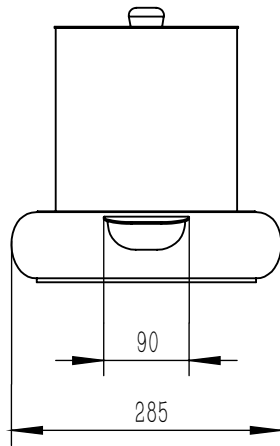
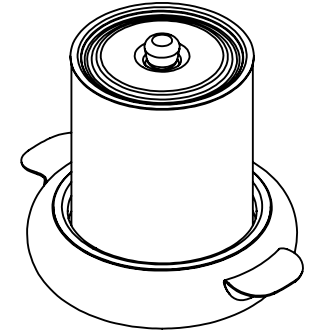
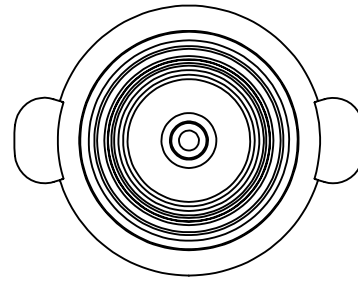
- Induction compatible water pan
- Stainless steel perforated tray for steam to passing through
- Glass chamber for user to observe the sausages



No.	Part
1	Cover (stainless steel)
2	Glass tube
3	Sausages holder
4	Perforated tray
5	Water pan

Model SSPS-01
Sausage Steamer Pot

Dimension



Induction Sauce Bottle Warmer Pot



Good for keeping topping sauces at a safe, servable temperature in a liquid form - such as fudge, cheese and chocolate sauces, the sauce bottle warmer pot, operates with an induction hob, is ideal for front of house or customer facing roles.

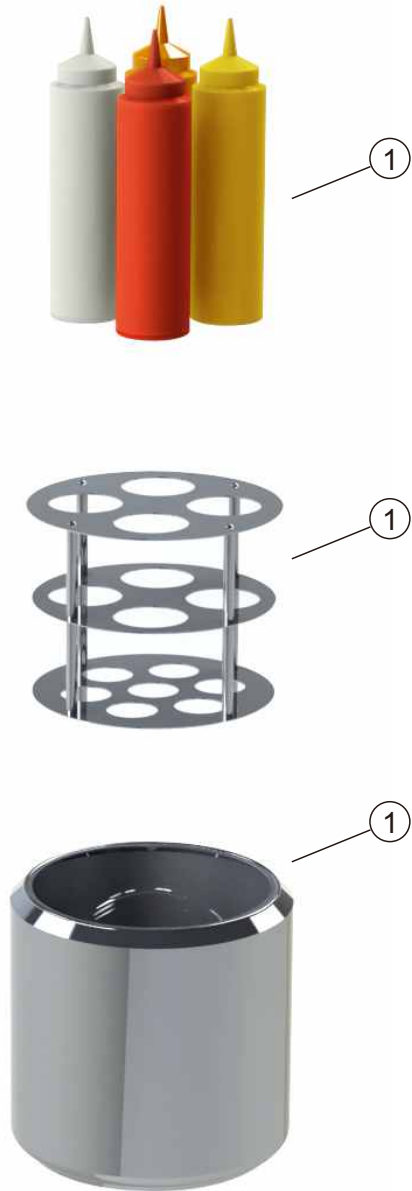
With stylish polished stainless steel construction, bottles simply drop into the holder and the temperature is regulated to prevent solidifying or burning by the sophisticated control functions of the induction hob.



Features

- Stainless steel construction
- Serves 4 sauce bottle
- Works with induction hub
- Accurate temperature and power control by using the functions of the induction hub

Induction Sauce Bottle Warmer Pot

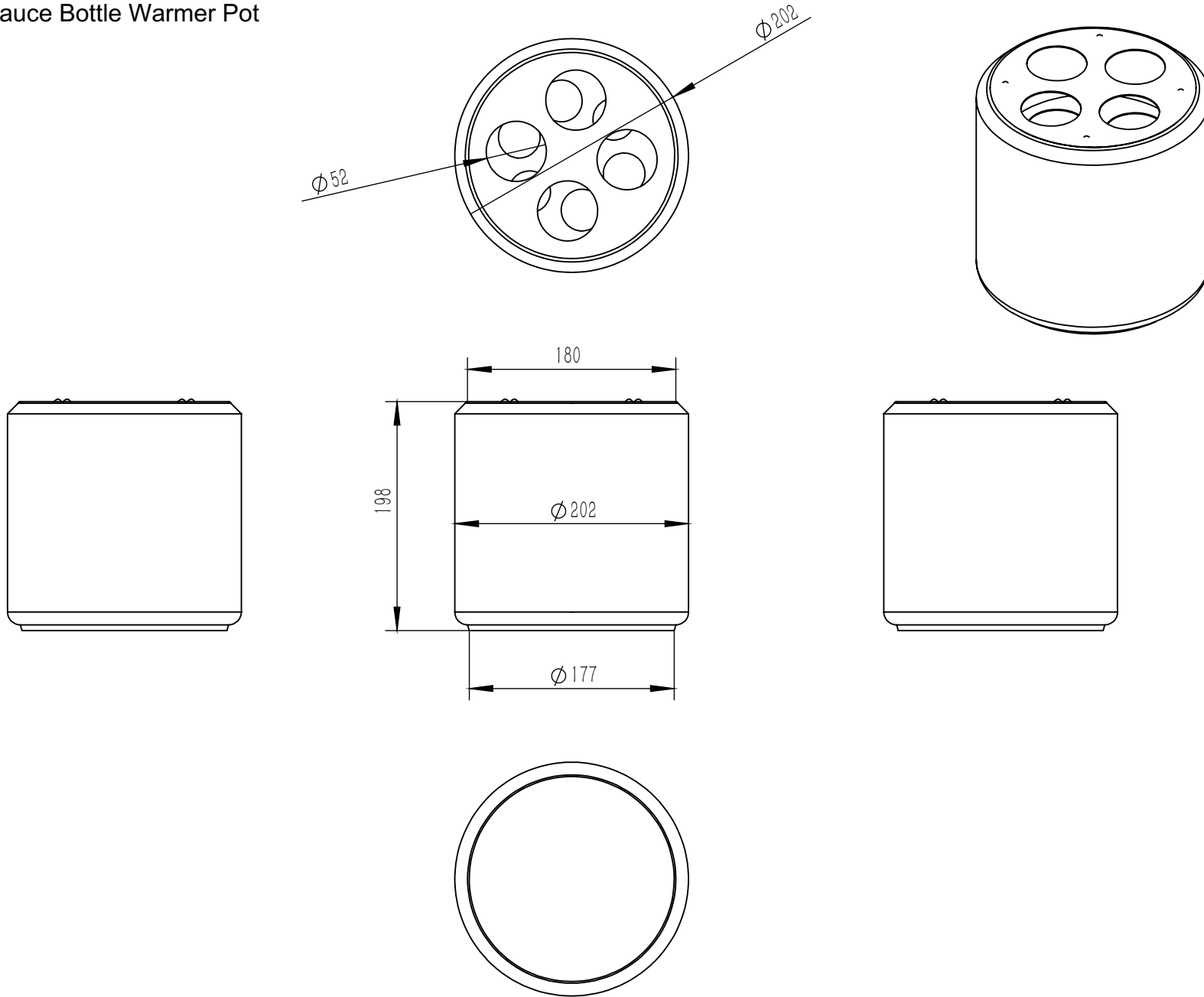


No.	Part
1	Sauce bottles
2	Sauce bottles stand
3	SS pot

Model	ISP-04
Description	Induction sauce bottle warmer pot
Product	Dia 202 x H 198mm

Model ISP-04
Induction Sauce Bottle Warmer Pot

Dimension



Induction Sauce Dispenser Pot



This is used for warming and dispensing sauce. Sauce warming is by putting the sauce dispenser on a induction hub. thus can make use the temperature, timer and power control function of the induction hub.

You can get the sauce by just a little pressing, convenient and saving much time for you.



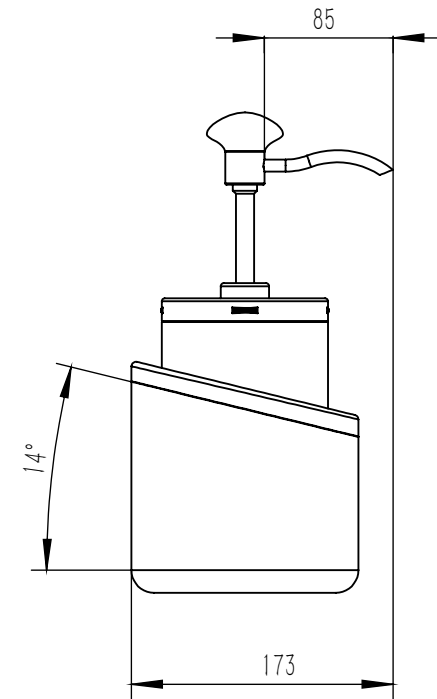
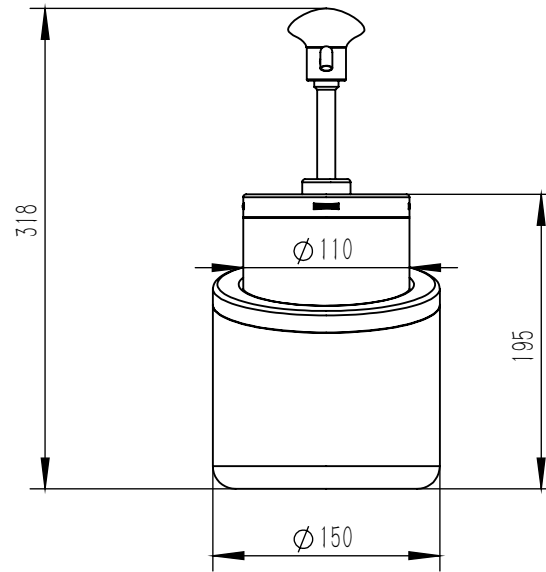
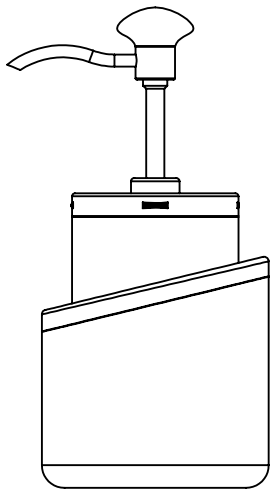
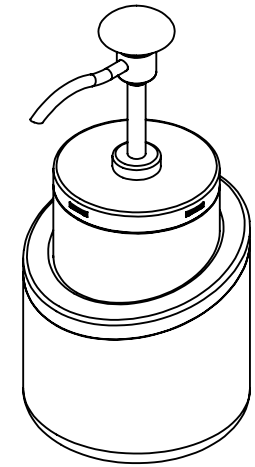
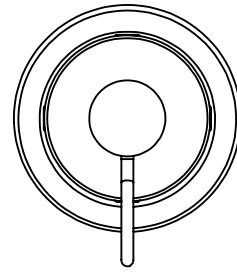
No.	Part
1	Sauce can with dispenser pump
2	Water pot cover ring
3	SS support stand
4	Water pot

Model	ISDP-1L
Description	Induction sauce dispenser pot
Capacity	1 L.
Product	150 x 173 x H 318mm



Model ISDP-1L
Induction Sauce Dispenser Pot

Dimension



Tabletop Charcoal Grill



This portable tabletop charcoal grill allows chefs to grill food in an easy and convenient way, in restaurants, hotels, and other indoor environment.

Customers can enjoy the special charred flavor and to swaddle food in vapors from charcoal grilling.

Features

- Stainless steel grilling grate
- Cast iron charcoal holder
- Structure that separate the charcoal holder from the housing to minimize heat transfer from charcoal to the housing

Model	TCB-01
Description	Tabletop Charcoal Grill
Cooking Area	570 x 330mm
Product	633 x 418 x H 190mm

Tabletop Charcoal Grill

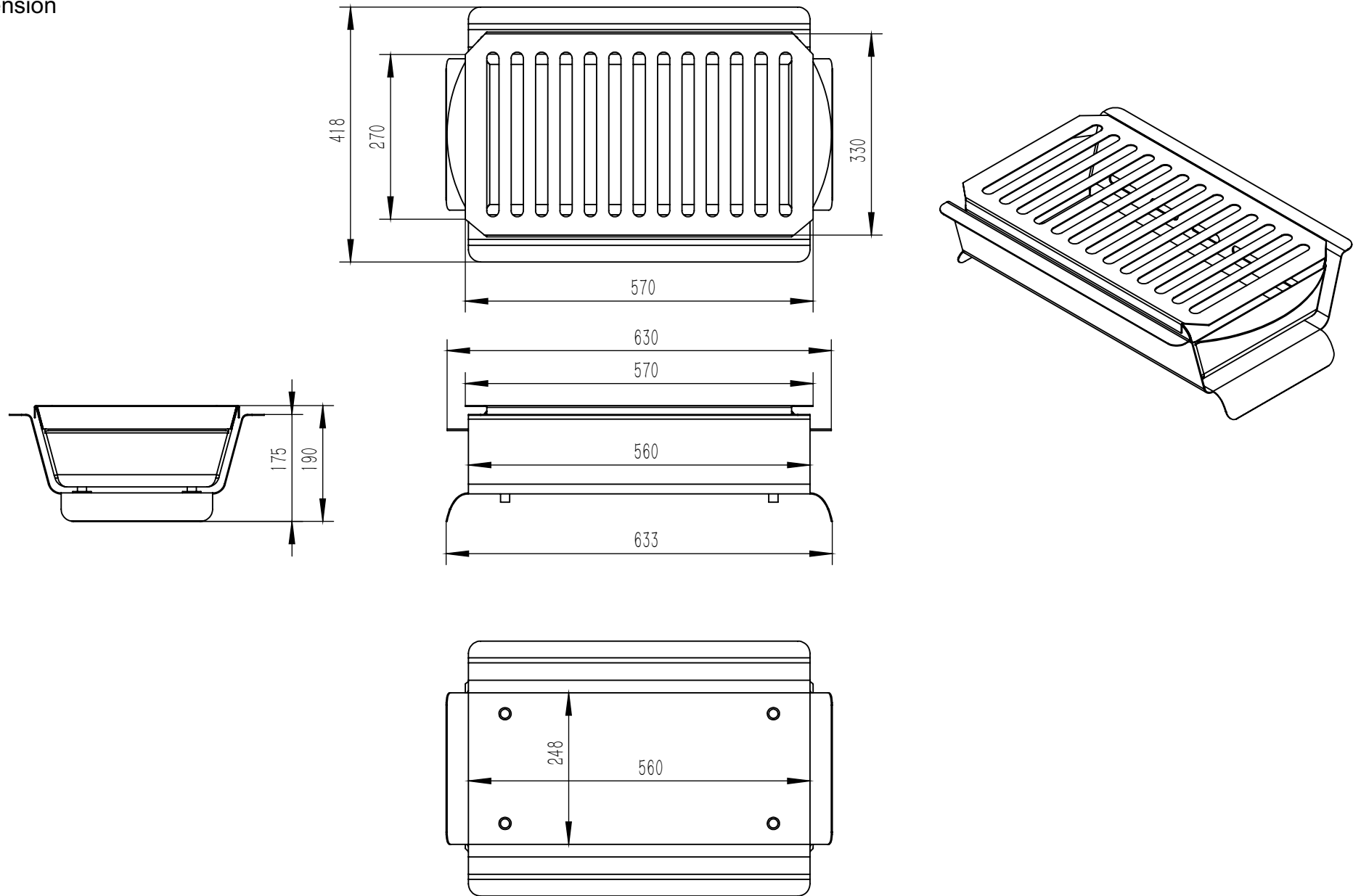


No.	Part
1	Grilling grate
2	Charcoal holder
3	Housing



Model TCB-01
Tabletop Charcoal Grill

Dimension



Gastronorm Food Box

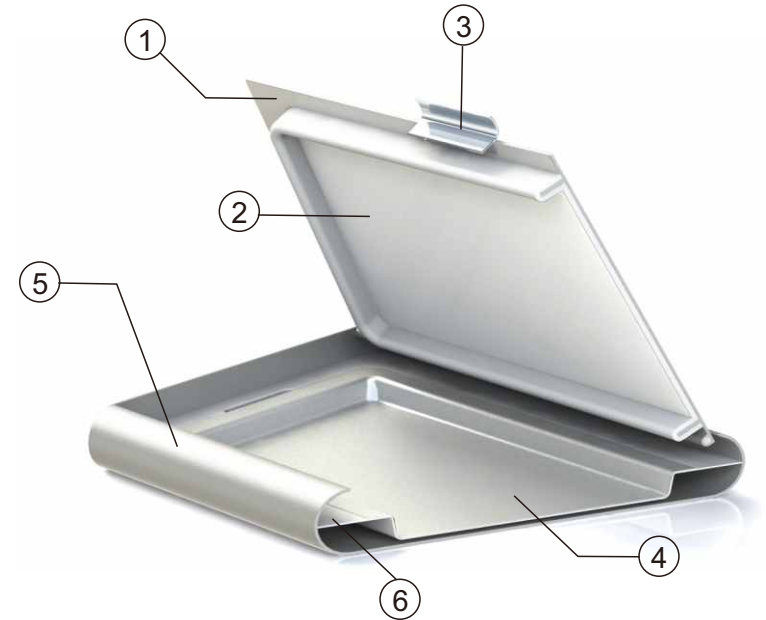
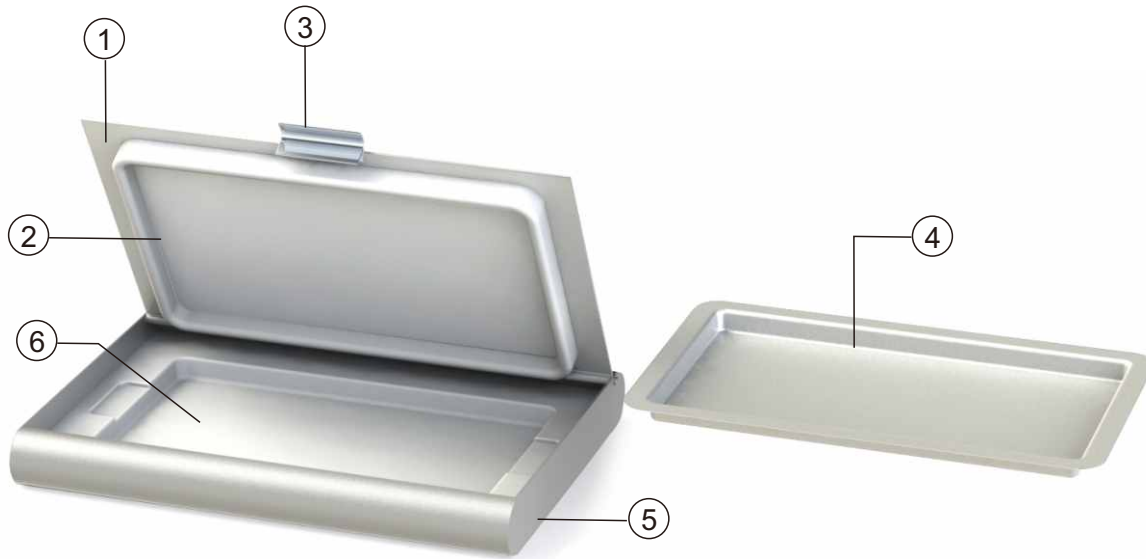


This food box with dimension to fit a Gastronorm food pan of GN 1/1 size which provides a means for storing and displaying food in buffet or restaurant.

The cover with magnetic locking allows easy open and close the box that facilitates food storage in a convenient and nice looking way.

Model	FB-GN11
Description	Food box for GN 1/1 food pan
Fits	Food pan GN 1/1, 20mm deep
Product	604 x 426 x H 78mm

Gastronorm Food Box



No.	Part
1	Cover (aluminum)
2	Cover liner (plastic)
3	Cover handle (cast aluminum)

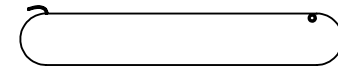
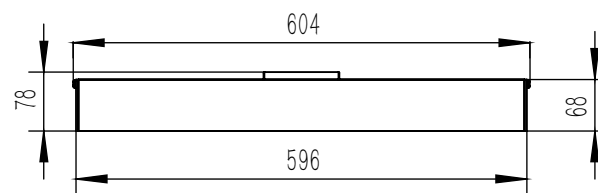
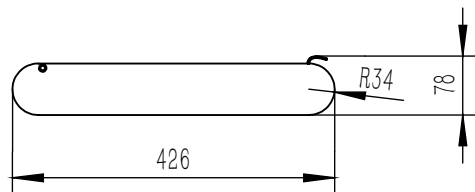
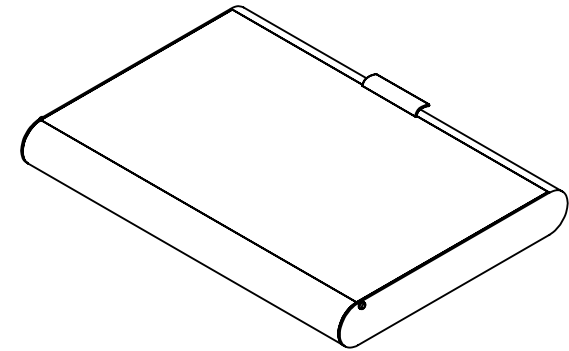
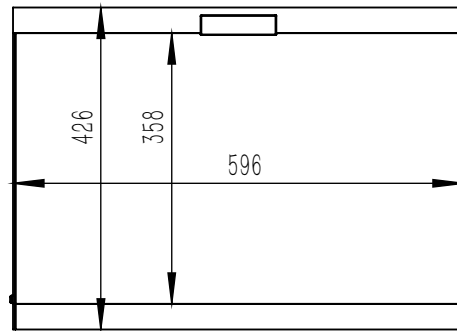
No.	Part
4	Food tray(GN 1/1)
5	Box body (Aluminum)
6	Box liner (plastic)

Features

- Anodized aluminum construction
- Fits GN 1/1 food pan
- Magnetic cover locking
- For food storage and display

Model FB-GN111
Food box for GN 1/1 food pan

Dimension



Cooking trolley with LCD Adv. display



This new cooking trolley allows you to install a drop in induction hob for cooking food and a LCD monitor for displaying food related picture or video for attracting customers.

The trolley is made of anodized aluminum that makes the trolley light weight and durable.

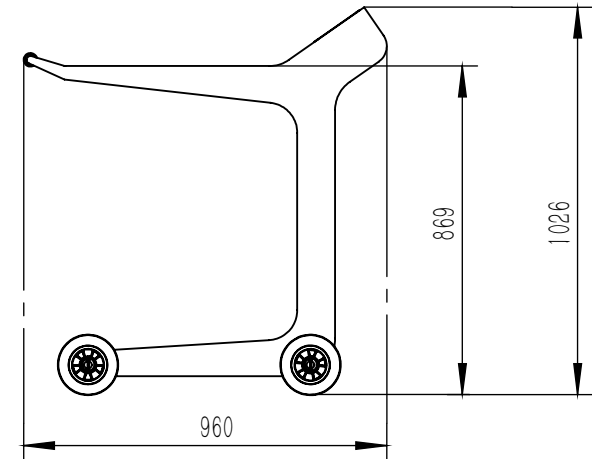
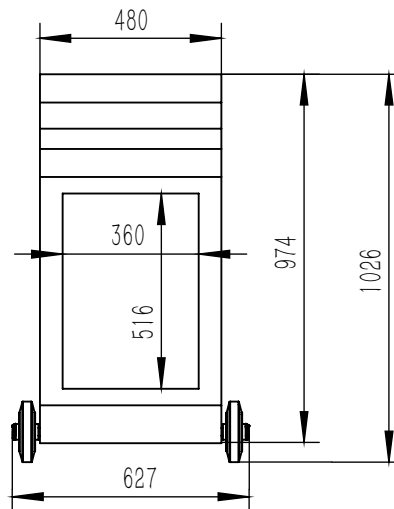
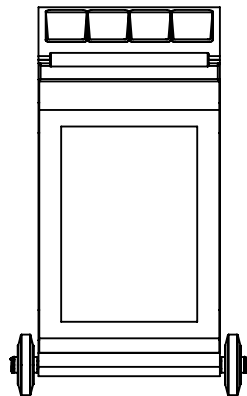
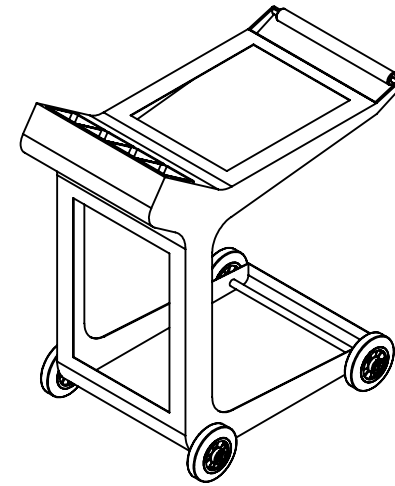
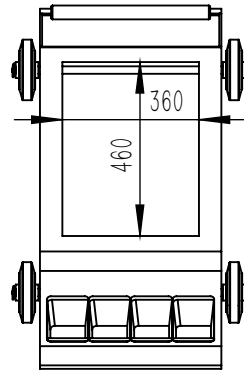
Features

- Anodized aluminum construction
- Fits for drop in Induction hob at the top
- Front hole allows for LCD monitor installation for advertising display (picture or video)

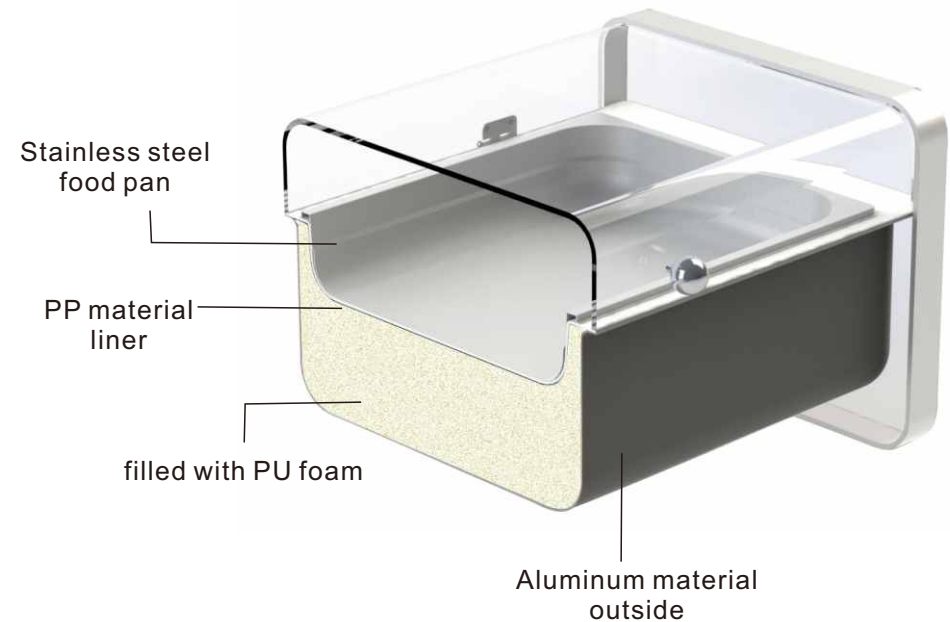
Model	TR-CD01
Description	Cooking trolley with LCD Advertising display
Product	627 x 960 x H 1026mm

Model TR-CD01
Cooking Trolley with LCD Advertising Display

Dimension



Warm Keeping Chafer



The Chafer keeps food warm without requiring fire or electricity by thermal insulated material (PU) in the basin.

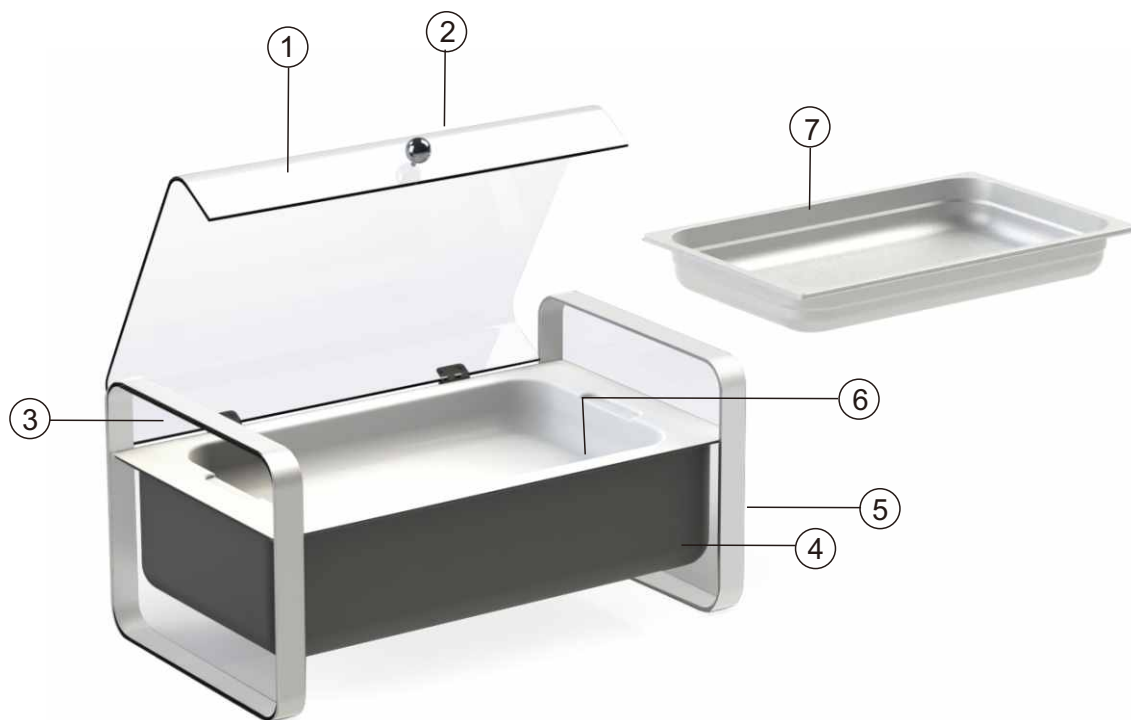
This is a very convenient way for food serving in hotel and restaurant.

Features

- Keeping food warm without fire or electricity
- See through cover
- Fits GN 1/1 food pan
- Anodized aluminum basin

Model	WKC-GN11
Description	Warm Keeping Chafer
Food Pan	GN 1/1, 65mm deep
Product	636 x 400 x H 310mm

Warm Keeping Chafer

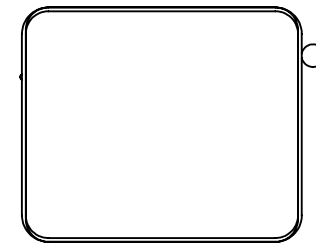
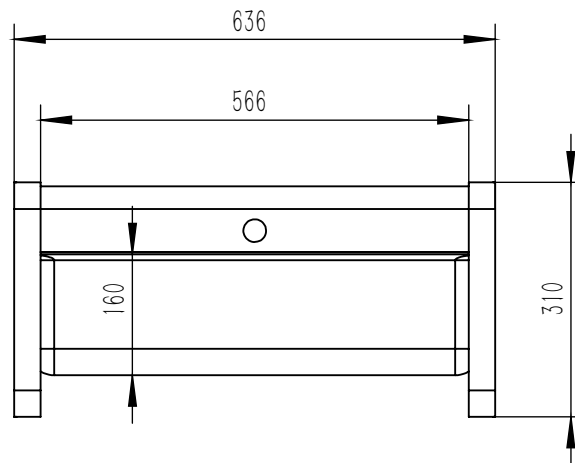
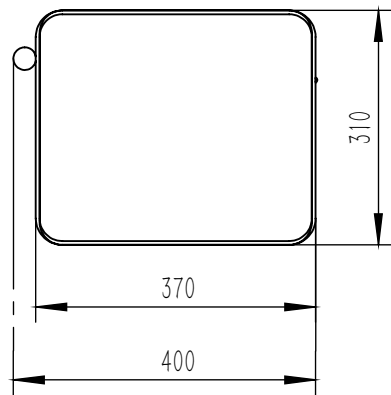
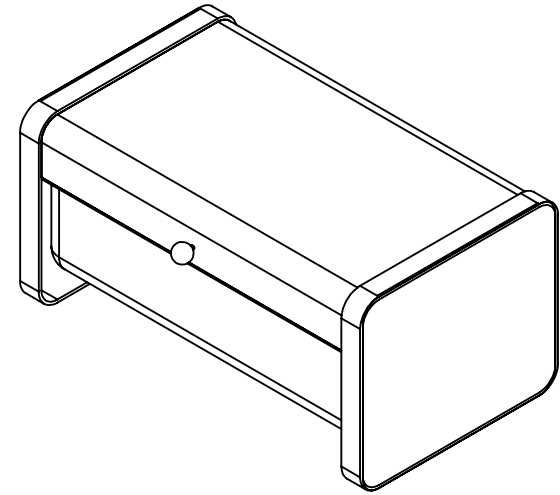
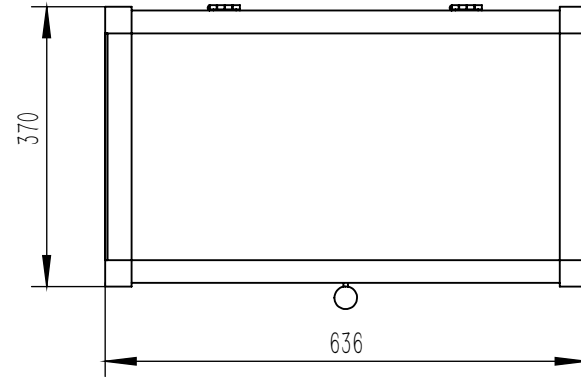


No.	Part
1	Cover (glass or plastic)
2	Cover handle
3	Side panel (glass or plastic)
4	Basin (anodized aluminum)

No.	Part
5	Stand (aluminum)
6	PP Liner
7	Food Pan (GN 1/1)

Model WKC-GN11
Warm Keeping Chafer

Dimension



Induction Interface Disk



The advantage of using this Induction interface disk is that it excludes the need of induction-ready cookware. Users can continue using their favorite pots and pans without having to think about materials.

Features

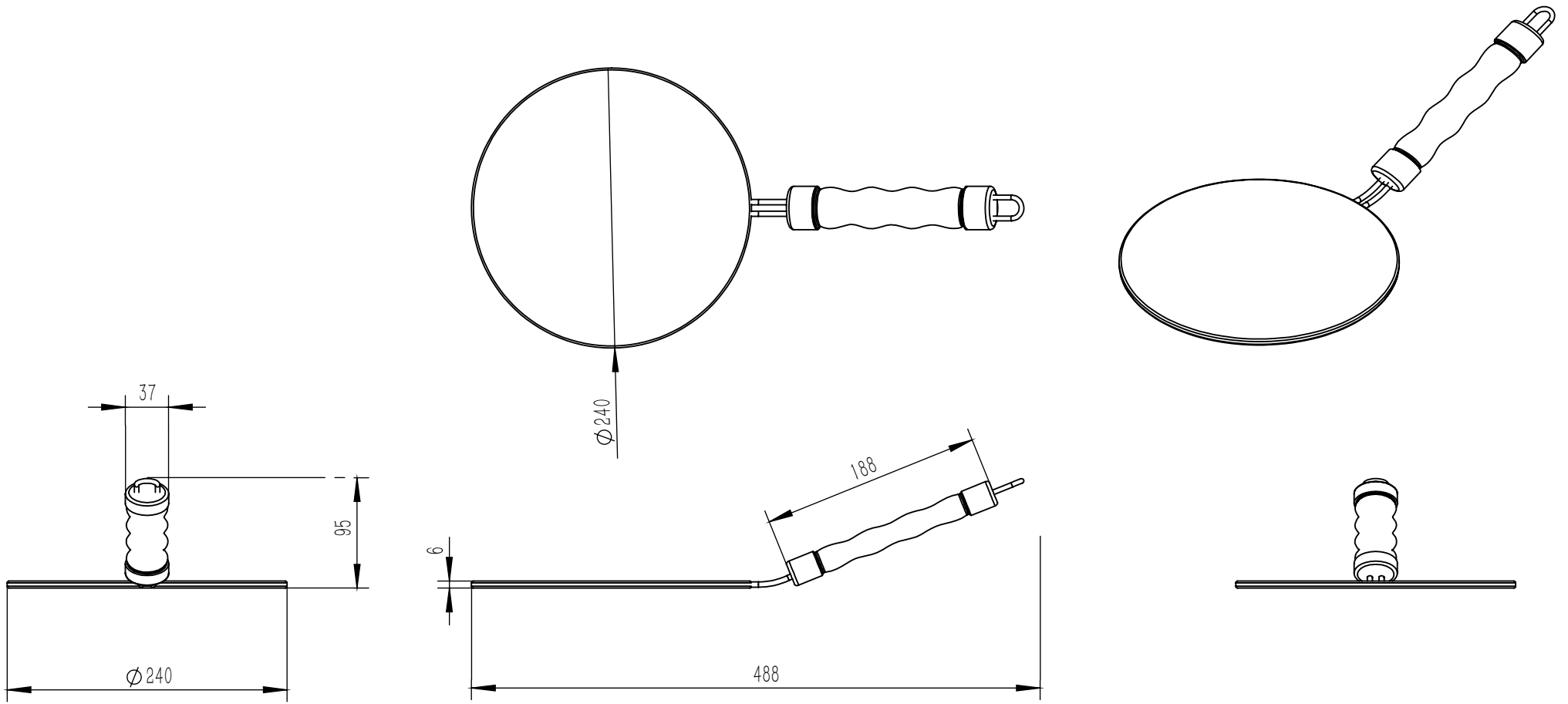
- Stainless steel Interface disk, for evenly distributing heat
- Comfortable grip and heat-proof handle
- Interface disk is thin and heavy to prevent it from tip over.



Model	KA-ID240
Description	Induction Interface Disk
Disk	Dia. 240mm
Product	488 x 240 x H 95mm

Model KA-ID240
Induction Interface Disk

Dimension



Pan Lid with Steam Hole



This pan lid in reversed funnel shape let food be kept in a closed space to expedite cooking time, but also allows excessive steam coming out.

Such design helps energy and time saving because it minimizes heat lost, thus combining environmental friendliness with efficiency.

Features

- Stainless steel construction.
- Comfortable grip and heat-proof handle

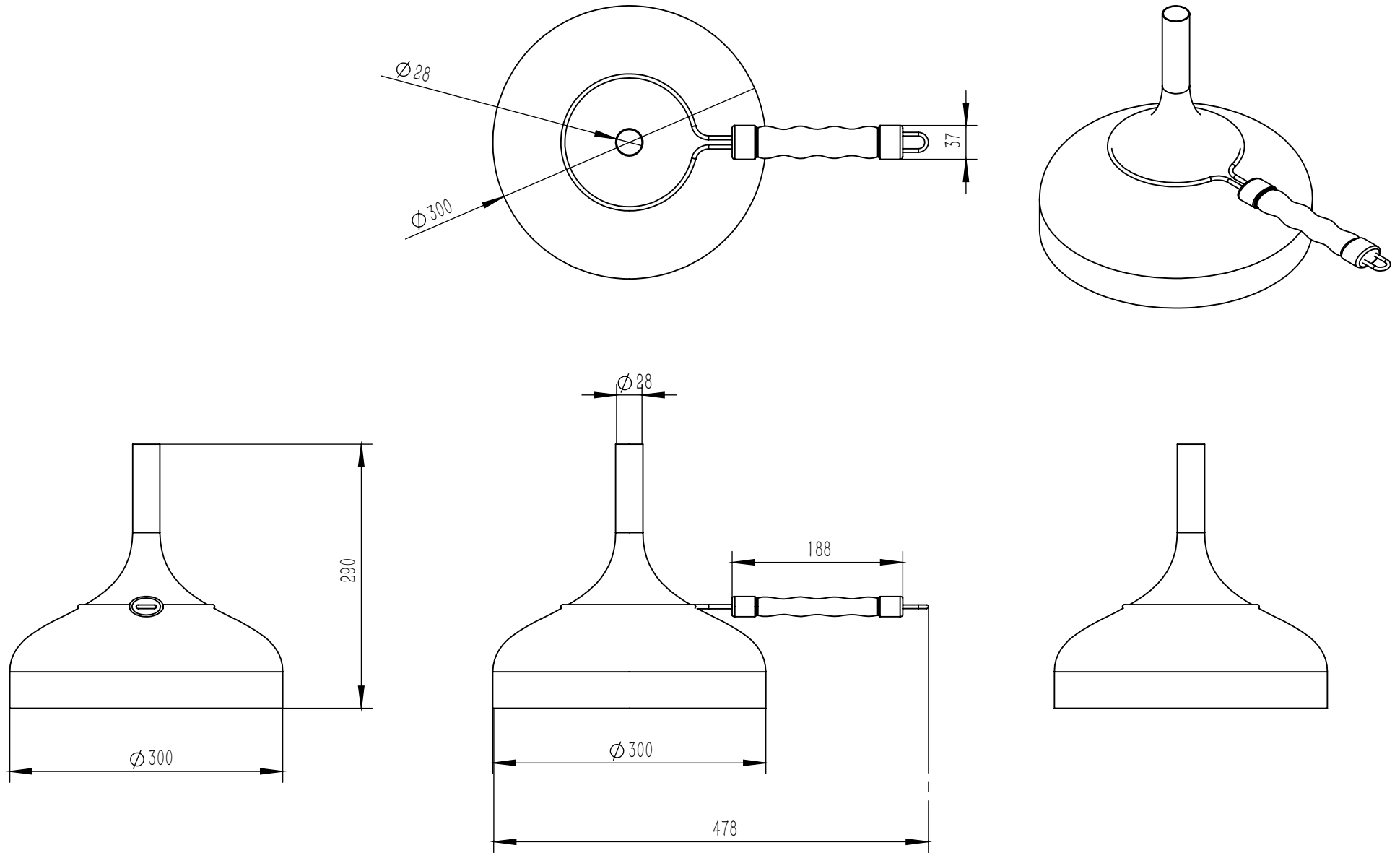


handle of ergonomic design

Model	KA-PC300
Description	Pan lid with steam hole
Bottom Opening	Dia. 300mm
Product	478 x 300 x H 290mm

Model KA-PC300
Pan lid with steam hole

Dimension



Food Pan Cover with Pour Spout



handle of ergonomic design

The food pan lid with pour spout allows for easy pouring out liquidized sauce or soup easily.

The convenient pour spout also allows for easy fat removal



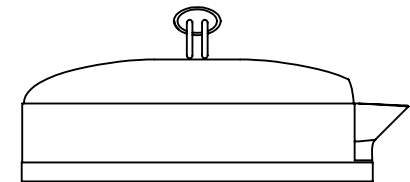
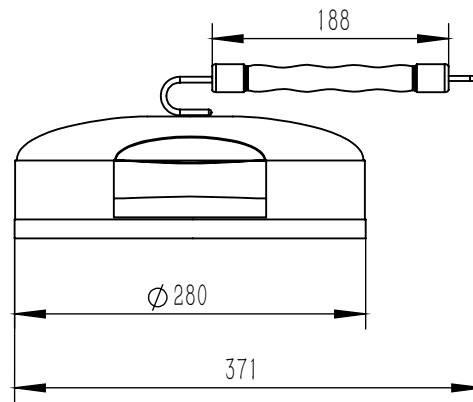
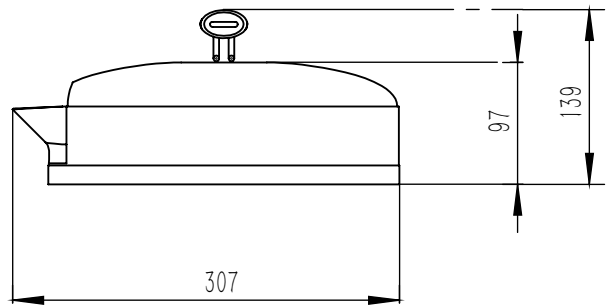
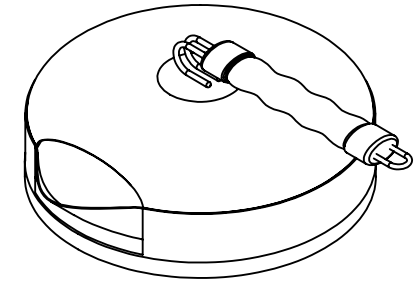
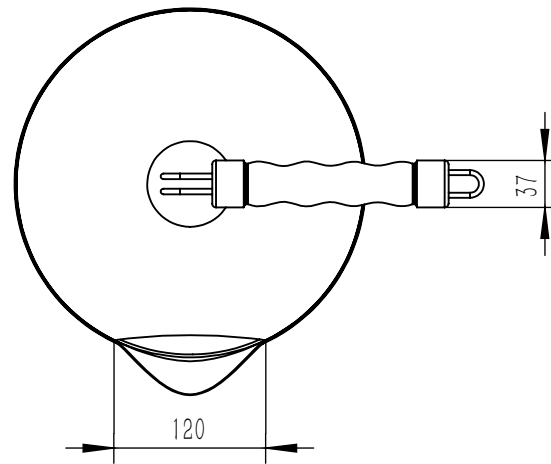
Features

- Stainless steel construction
- Structure with pour spout
- Comfortable grip and heat-proof handle
- Silicone ring for air tight connection with food pan / pot

Model	KA-SC280
Description	Food pan cover with pour spout
Fit pan	Dia. 280mm
Product	371 x 307 x H 139mm

Model KA_SC280
Food pan cover with pour spour

Dimension



Teppanyaki Grill Cover



Dome cover for Teppanyaki grill is suitable for professional Teppanyaki chef.

The lid is great for covering food during Teppanyaki cooking for retaining intensive heat levels

Features

- Stainless steel construction
- Comfortable grip and heat-proof handle

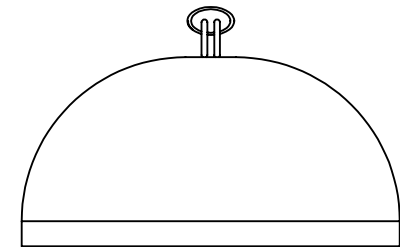
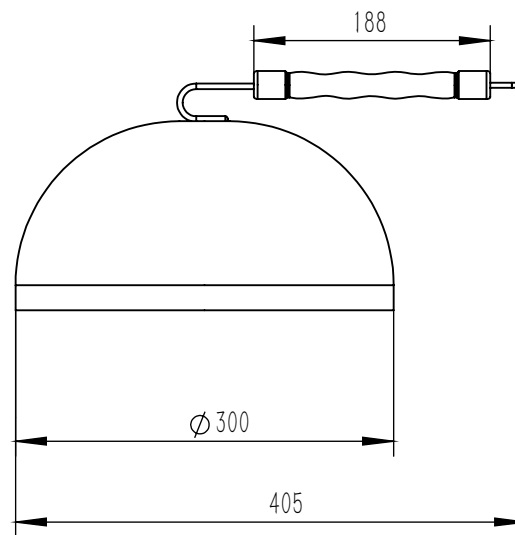
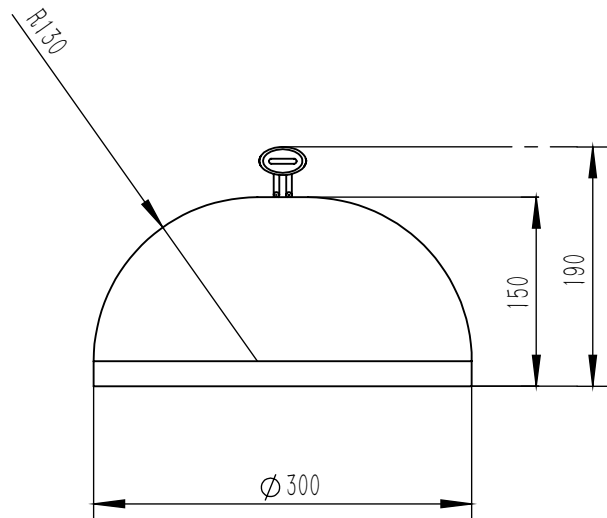
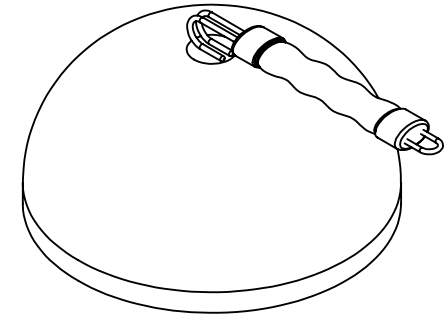
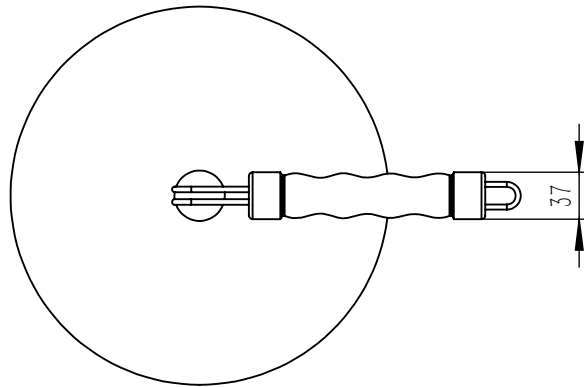


handle of ergonomic design

Model	KA-TC300
Description	Teppanyaki grill cover
Disk	Dia. 300mm
Product	405 x 300 x H190mm

Model KA-TC300
Teppanyaki grill cover

Dimension



Double Wall Food Storage Container



2 Layer double wall stainless steel food container - its ideal for hot or cold food storage. With large capacity suitable for hospital, restaurant, school and even military. It will keep food warm or cold for long hours.

With (optional) stand that allows easy turning of the food container.

Features

- Stainless steel construction
- Double wall with vacuum between the walls
- Stand for easy turning of the food pot
- Lid separable for easy cleaning
- Temperature display shows food temperature



Double Wall Food Storage Container



Lid separable for easy cleaning



Lid locking structure



Temperature probe for detecting food temperature



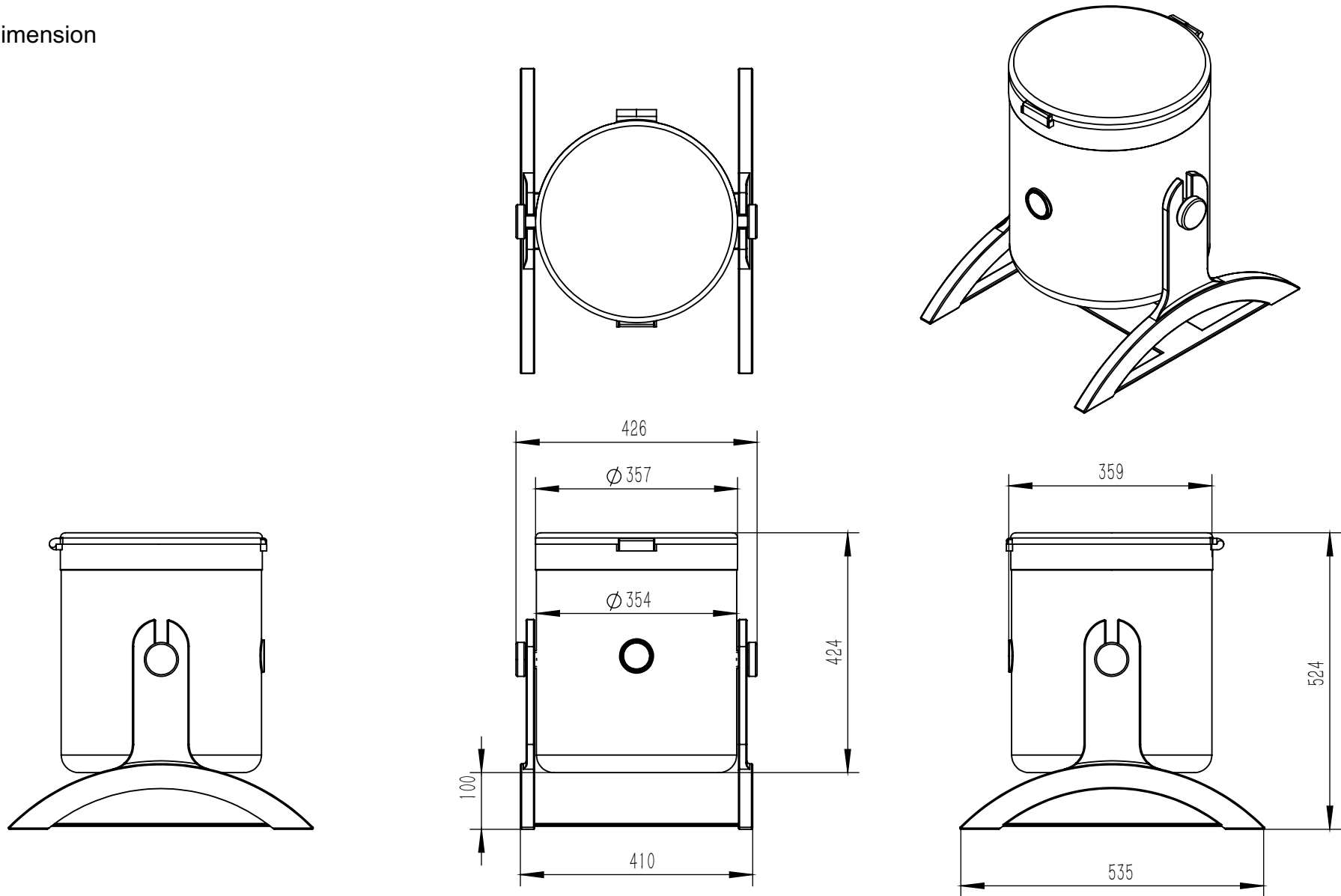
Double wall structure with vacuum between the walls



Model	TC-1A
Description	Double Wall Food Storage Container
Capacity	20 L.
Product	426 x 359 x H 424mm (Pot) 426 x 535 x H 524 mm (Pot with stand)

Model TC-20
Double Wall Food Storage Container

Dimension



Spice Rack

This spice rack blends seamlessly with polished surfaces of the contemporary kitchen. Made of stainless steel with a brushed finish, it holds 12 spice jars in a space-saving vertical arrangement.

Features

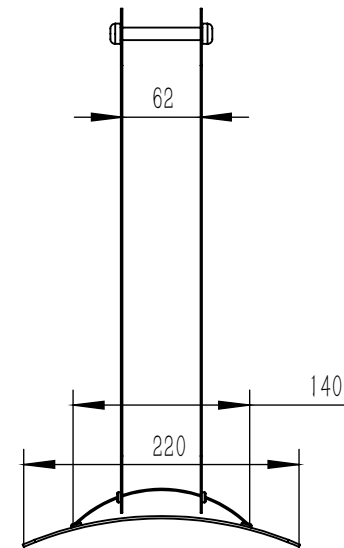
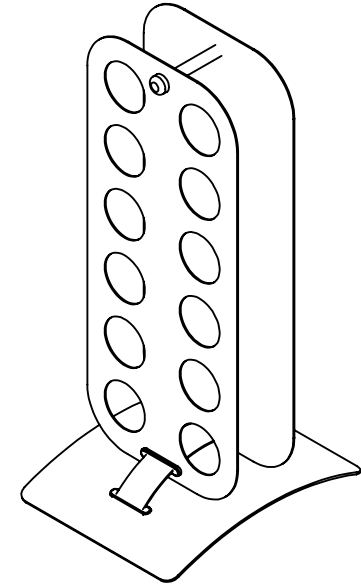
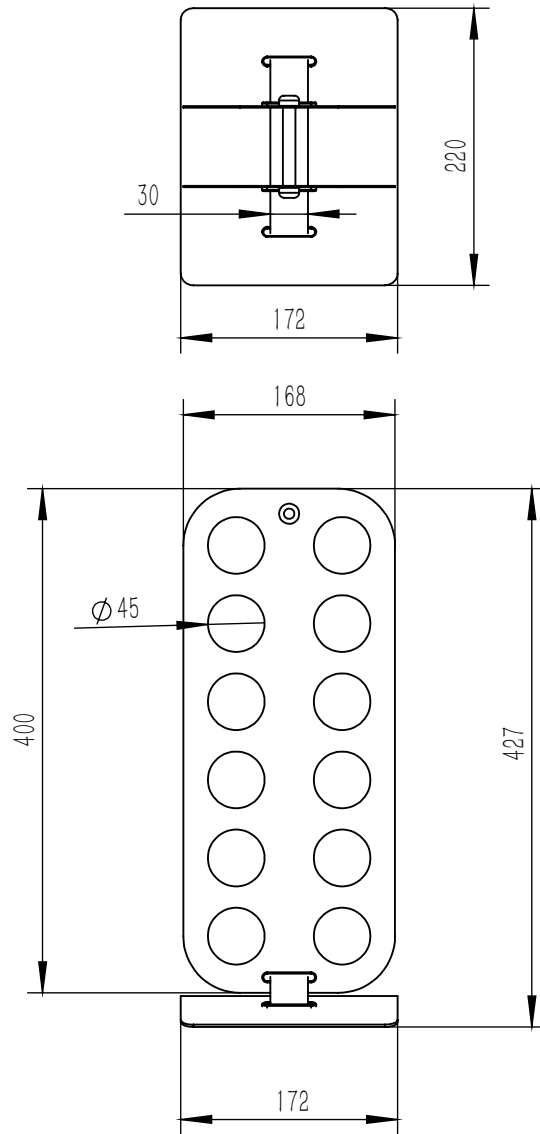
- Vertically storage of spice jars
- Stainless steel construction
- Compact structure that safe space
- Contemporary design

Model	SR-12
Description	Spice Rack
Fits	12 x spice jars (3 Oz)
Product	615 x 538 x H 159mm



Model SR-12
Spice Rack

Dimension



Oven Rack



This rack is specially designed for fitting on the top of the convection oven. Chef can place food on the rack, thus it acts as a convenient means to make the work of Chef easier and helps enlarging working space,



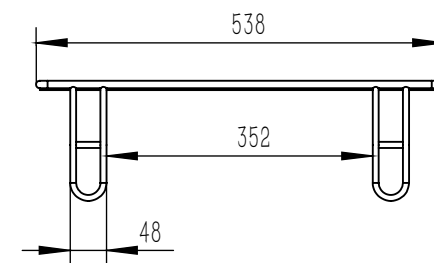
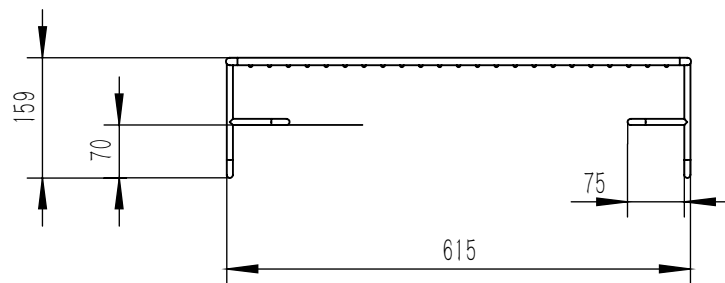
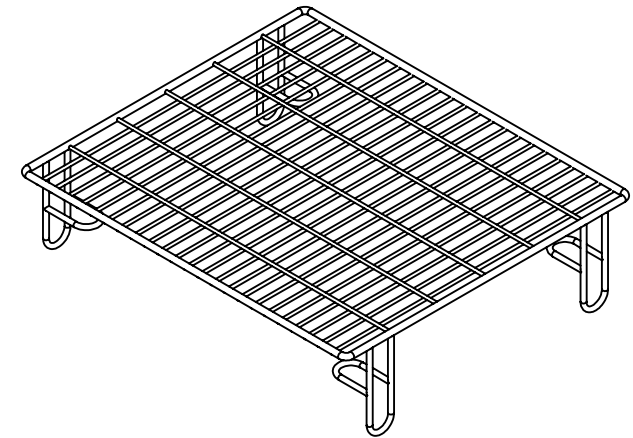
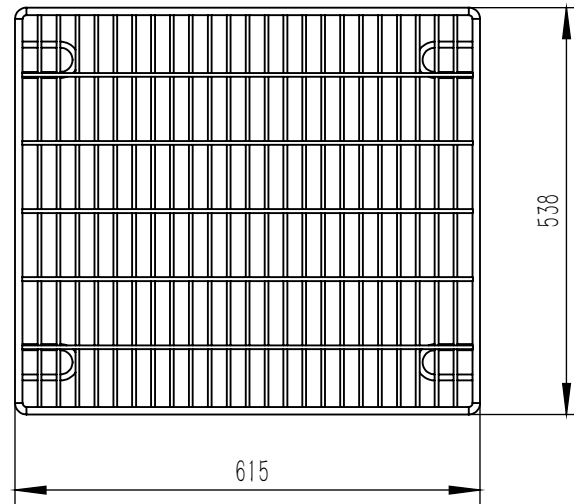
Features

- Stainless steel (or Cr plated) construction
- Feet that “clamp” and stand on the oven stably
- Provides “temporary” working space for Chef that enhances efficiency

Model	OR-1A
Description	Oven Rack
Fits	Commercial Convection Oven (YXD-1A)
Product	615 x 538 x H 159mm

Model OR-1A
Oven Rack

Dimension



Food Display Trolley



This new designed Food Display Trolley fits with 4 Gastornorm food pans that allows foods to be displayed and for served vertically

Advertising can be put in the top frame for showing the theme of the foods or other marketing purpose..

Features

- Stainless steel construction
- 4 wheels
- Back wheels with brake
- Frame at the top for advertising
- Fits 4 x GN ½ food pan

Model	FDT-4X12
Description	Food Display Trolley
Fits	4 x GN ½ Food Pan
Product	365 x 484 x H 1764mm

Food Display Trolley



Fits GN 1/2



Food pan support
Construction



Lower platform
for holding dishes,
condiments sets ... etc.

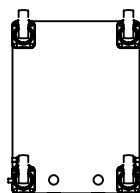
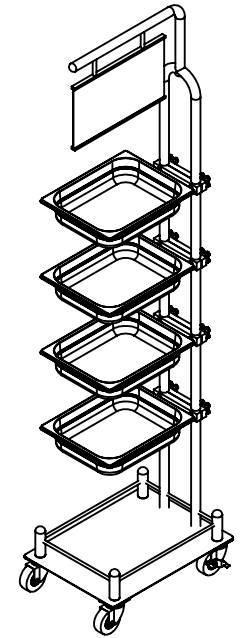
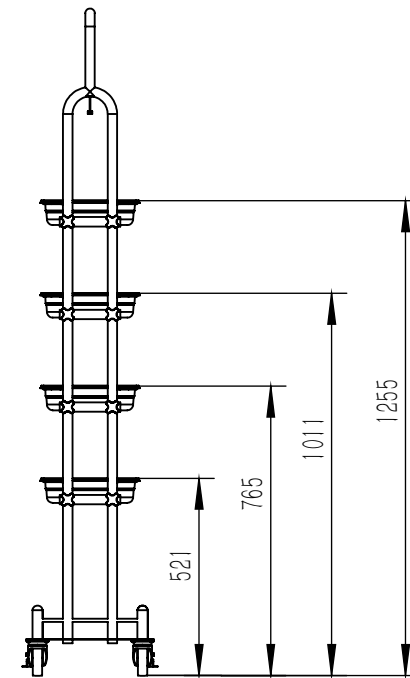
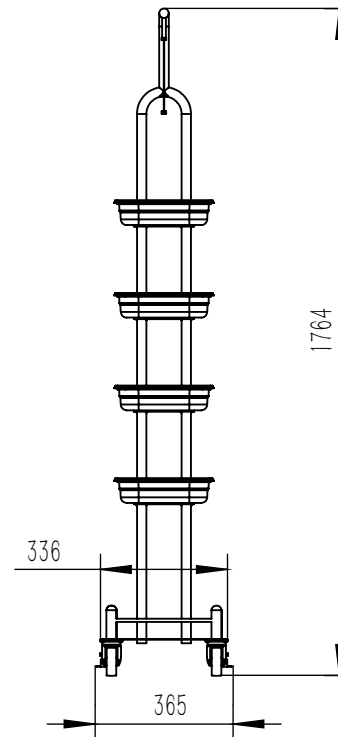
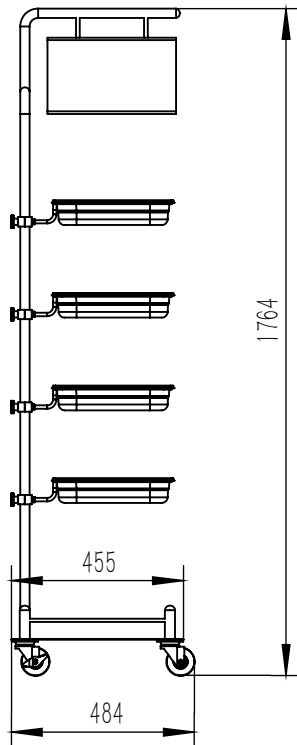
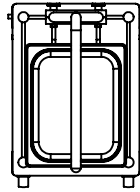


Frame for advertising
at the top



Model FDT-4X12
Food Display Trolley

Dimension



Cup and Saucer Holder



Stackable coffee or tea cup set with circular turnable platform. Avoid unnecessary counter clutter with this space-saving set coffee or tea cups and saucers,

Especially suitable for restaurant and buffet serving.

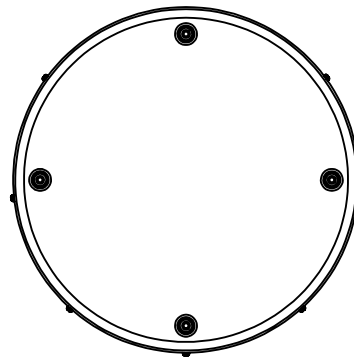
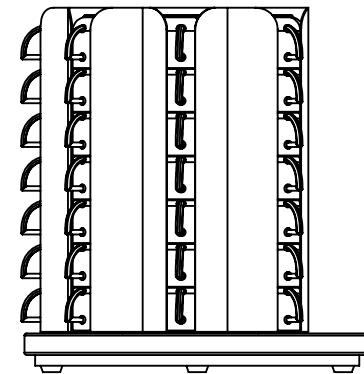
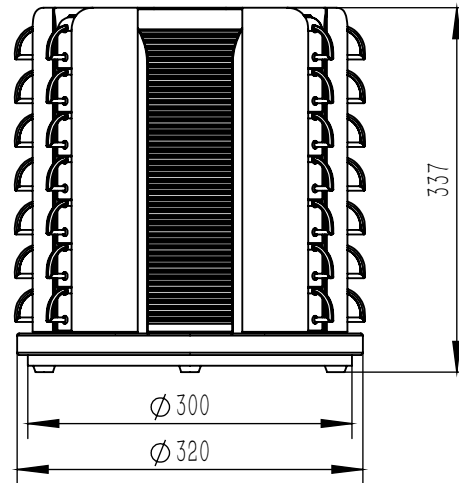
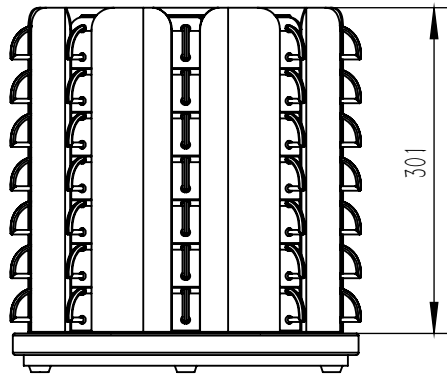
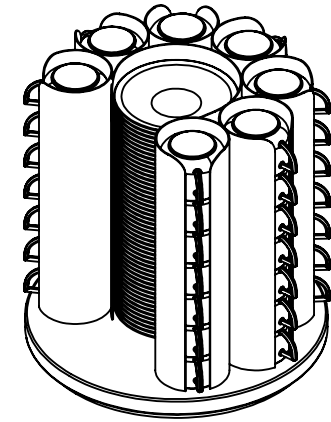
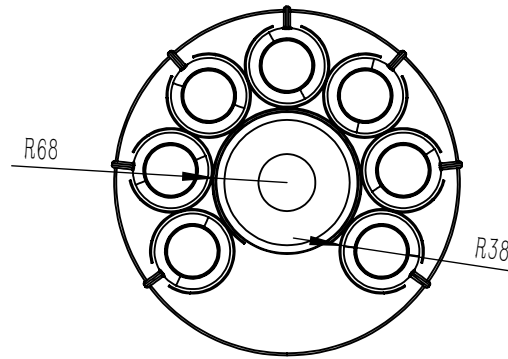
Features

- Stainless steel construction
- Turnable platform
- Dishwasher-Safe
- Safe space for holder large number of cup and saucer

Model	CSH-49
Description	Cup and Saucer Holder
Fits	7 x 7 cups (dia. 70 x H 48mm) 49 saucers (dia. 130 x H 12mm)
Product	320 x 320 x H 337mm

Model CSH-49
Cups and Saucer Holder

Dimension



Cutley Holders and Stand



This new design cutleries holder organizes and displays cutleries in an attractive looking.

Also with its narrow shape construction that saves space in buffet and restaurant where food and accessories are competing for valuable space.

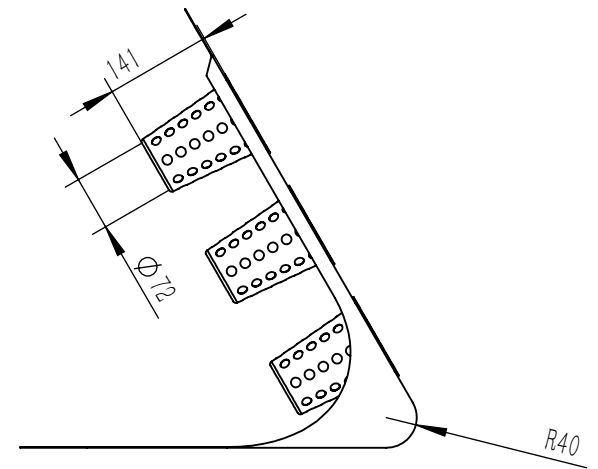
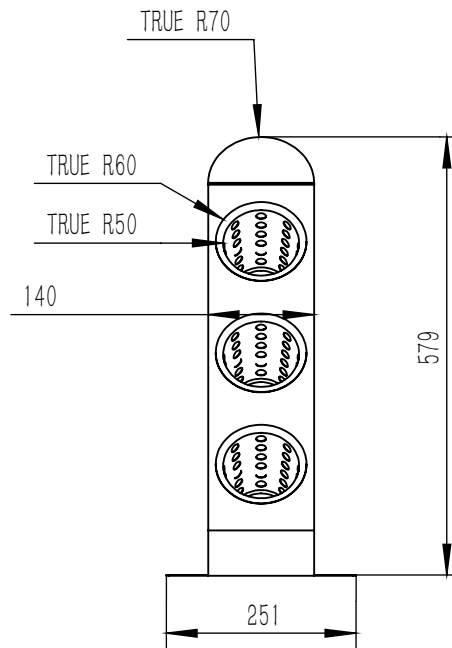
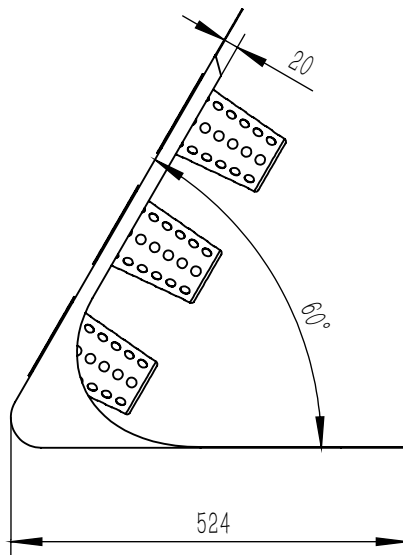
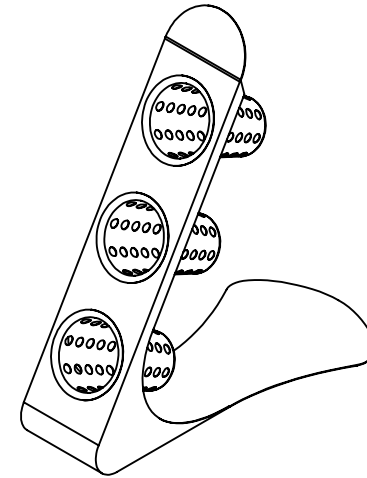
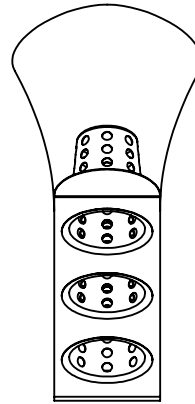
Features

- Stainless steel construction
- Narrow shape that saves space
- Dishwasher-Safe, with stylish outlook.
- Perforated containers that keep cutleries dry

Model	CH-03
Description	Cutlery holders and Stand
Fits	3 x Holder (dia. 120 x H 140mm)
Product	251 x 524 x H 579mm

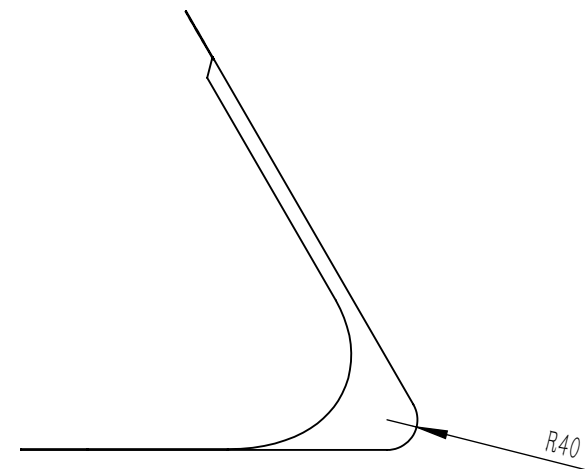
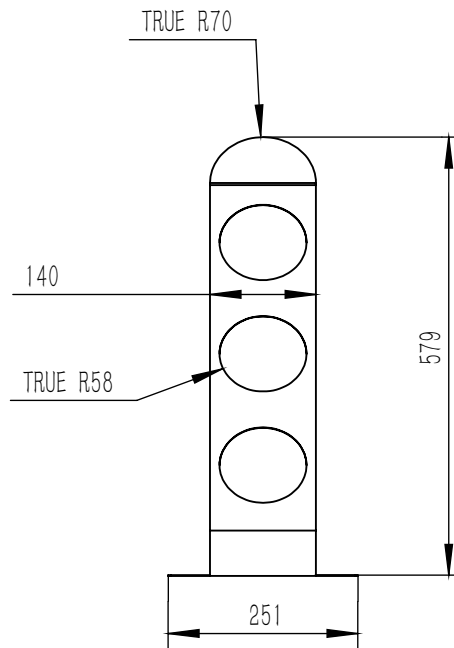
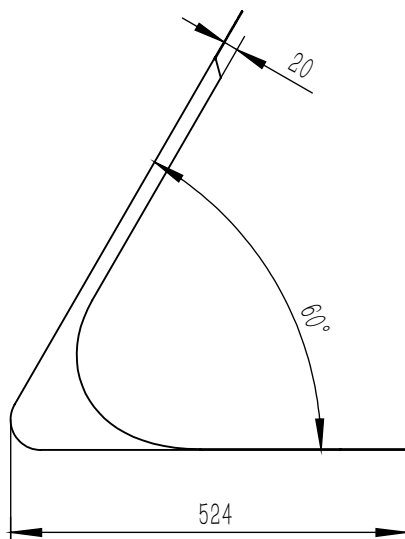
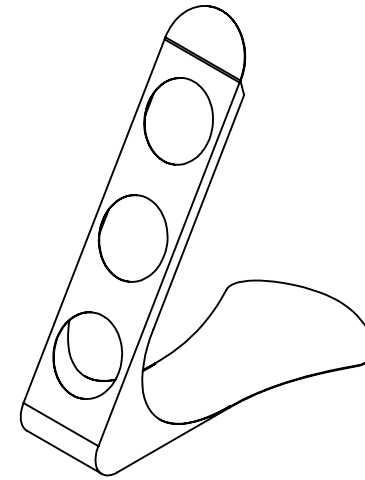
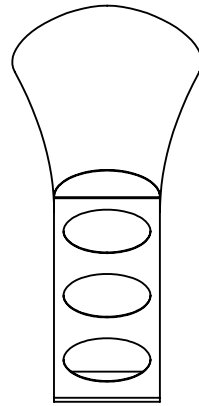
Model CH-03
Cutlery Holders and Stand

Dimension (Holders and Stand)



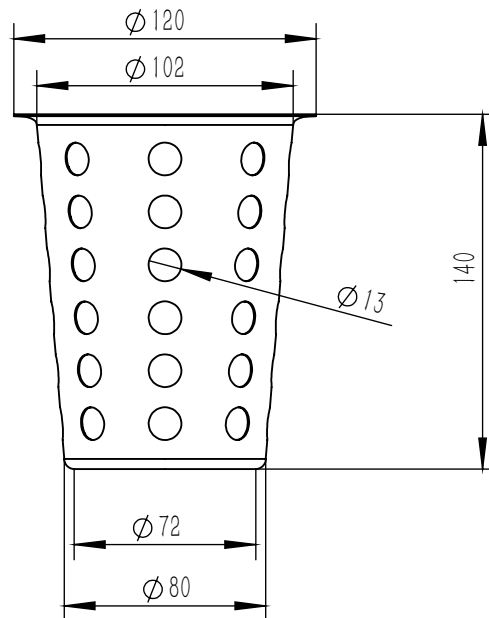
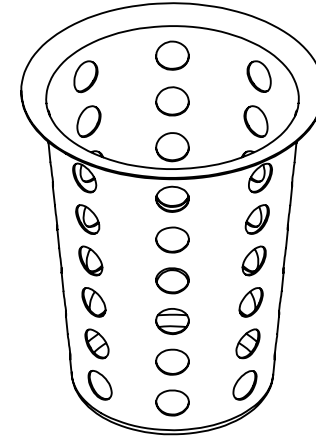
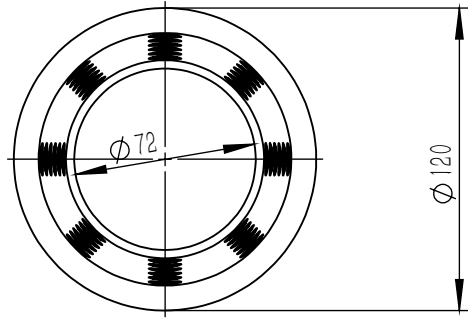
Model CH-03
Cutlery Holder and Stand

Dimension (stand only)



Model CH-03
Cutlery Holder and Stand

Dimension (Holder only)



Foldable Knives Holder



With individual turnable knife sleeve, the foldable kitchen knives holder allows user to have easy and convenient access to each knife.

Each knife with its own individual sleeve not only provides good protection but also enhance sanitation as each knife has its own purpose for different types of food..

Features

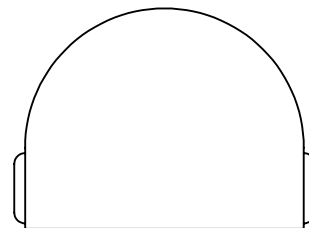
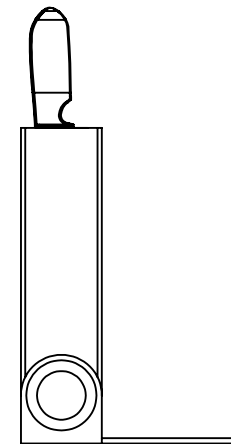
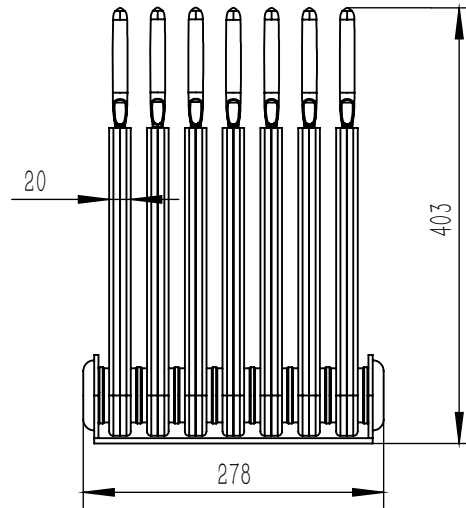
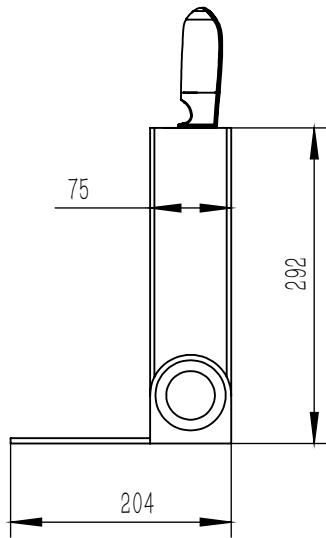
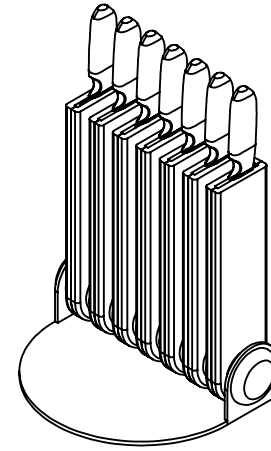
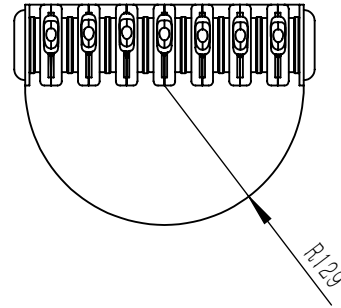
- Plastic knife sleeve
- Stainless steel base
- For 7 kitchen knives storage
- Each knife sleeve turnable from

0 - 90°

Model	FKH-07
Description	Foldable Kitchen Knives holder
Fits	7 kitchen knives
Product	278 x 204 x H 403mm (with knives) 278 x 204 x H 292mm (without knives)

Model FKH-07
Foldable Knives Holder

Dimension



Tea Warmer



Tea should be enjoyed slowly, at a relaxed pace.

With this tea pot warmer, users are able to enjoy warm tea. It sits on a steel base in which you place a tealight candle, maintaining the temperature of your tea for as long as the candle is lit.

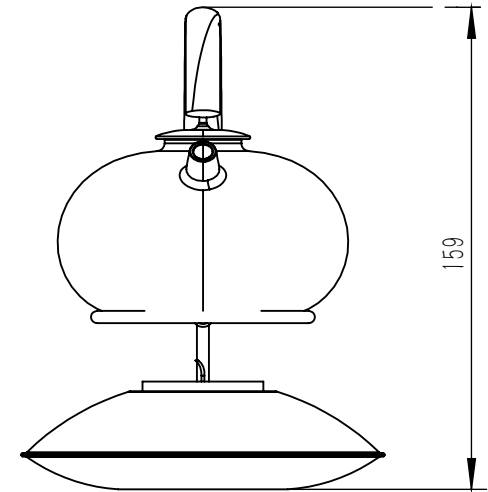
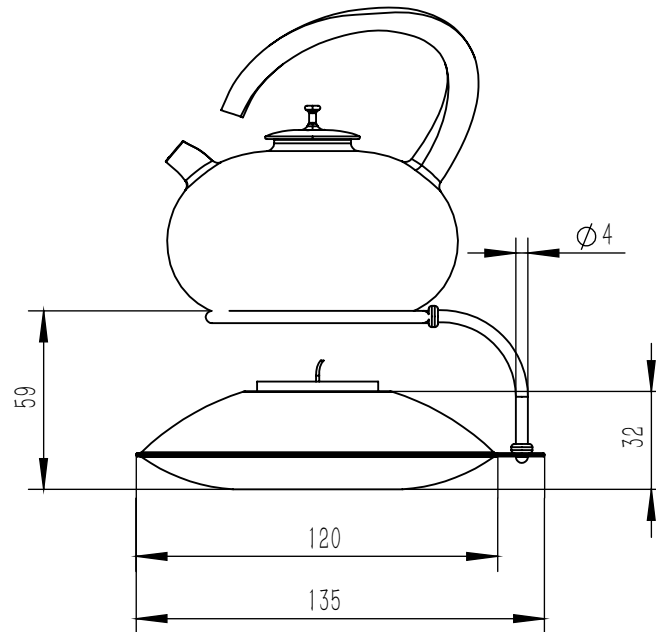
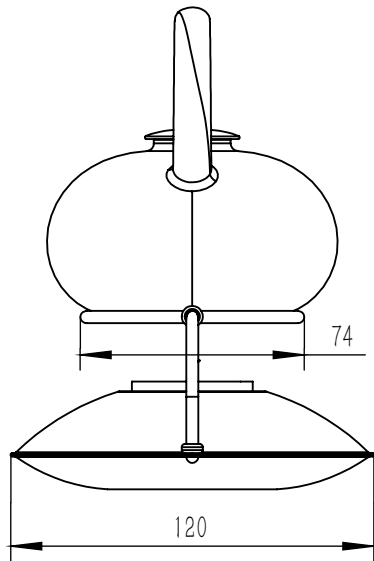
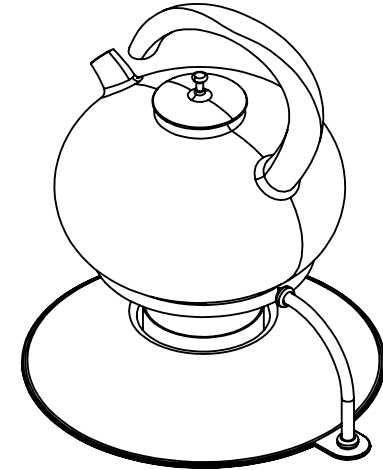
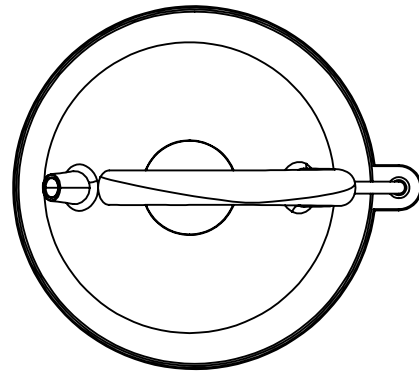
Features

- Stainless steel construction
- Fits common tea light
- With handle for easy handling
- Dishwasher safe

Model	TPW-01
Description	Tea Pot Warmer
Fits	normal tea candle (dia. 40 x H 15mm).
Product	364 x 364 x H 222mm (with tea pot) 364 x 364 x H 222mm (without tea pot)

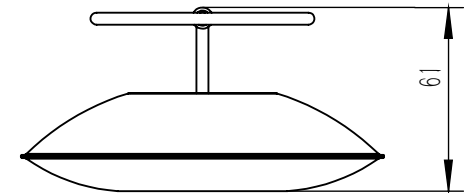
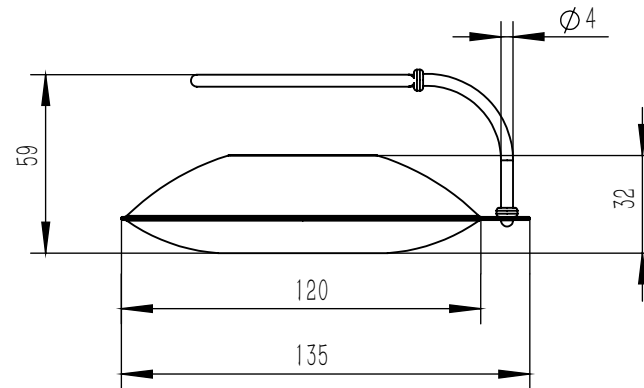
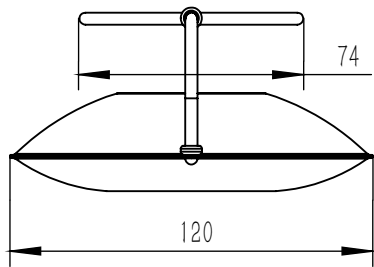
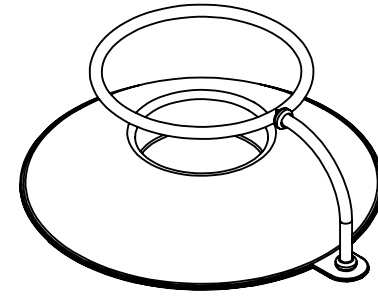
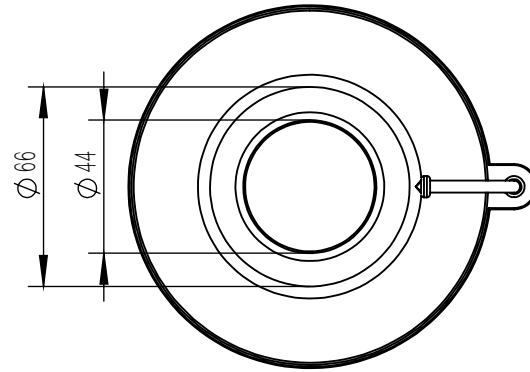
Model TPW-01
Tea Pot Warmer

Dimension (with tea pot)



Model TPW-01
Tea Pot Warmer

Dimension (without tea pot)



Induction Cooking Station

Features

- Stainless steel construction
- Fit for built-in Induction cooker
- With 6 x GN 1/9 pan for holding condiments or ingredients



Model	ICS-S1
Description	Induction Cooking Station
Fit for	6 x GN 1/9 pan
Product	800 x 440 x H 141mm

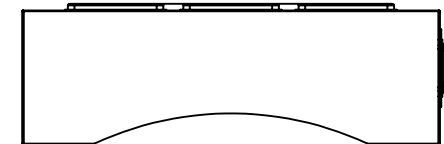
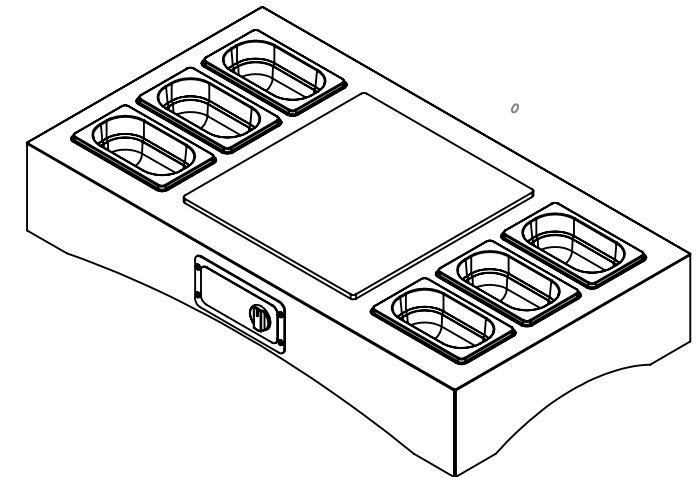
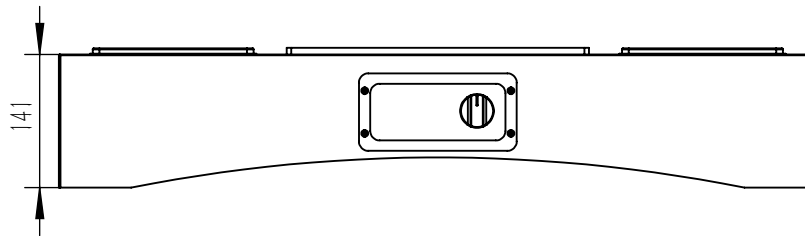
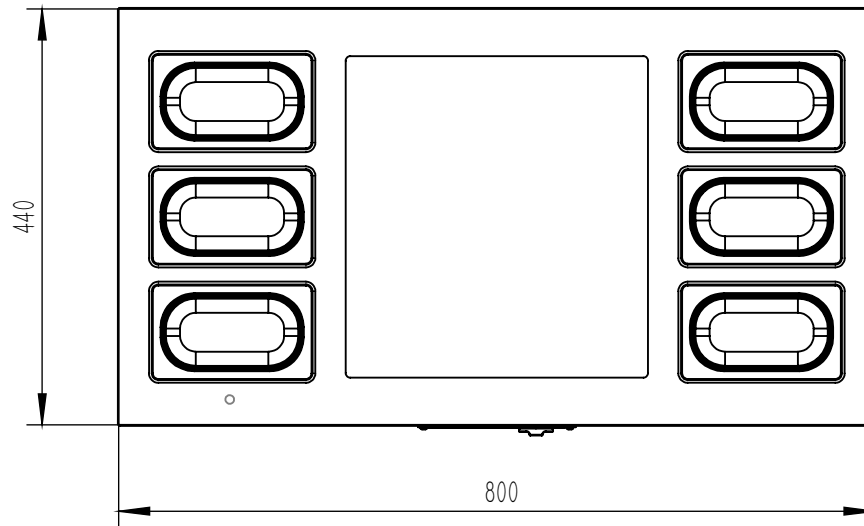
The Induction Cooking Station allows chef to cook in an easy and convenient way.

The Cooking Station integrates a built-in induction cooker with 6 x GN 1/9 pans that hold condiments so that the chef can access the condiments or ingredients required rapidly.

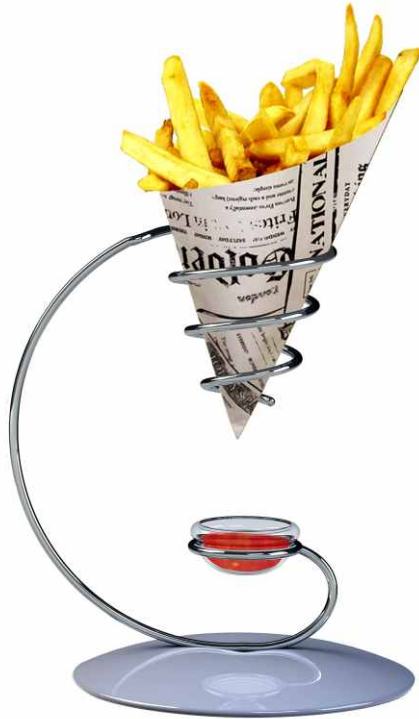


Model ICS-S1
Induction Cooking Station

Dimension



Cone and Sauce Holder



New designed chips cone holder with glass sauce bowl.

Chips look fantastic when served in this unique and stylish holder. Suitable for bars, restaurants and hotels.

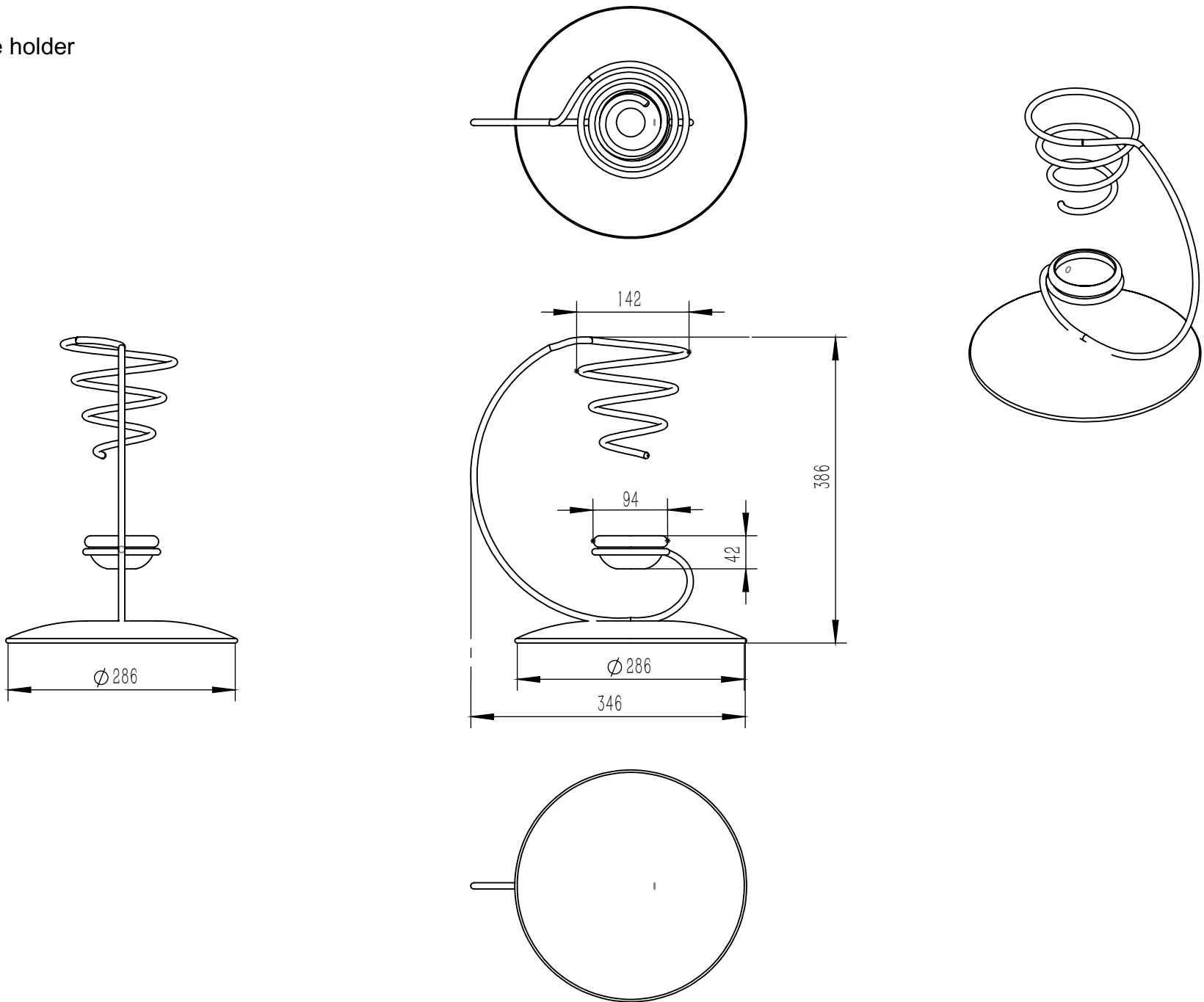
Features

- Stainless steel construction
- Glass sauce bowl
- Spiral structure for holding chips cone

Model	CSH-01
Description	Cone and sauce holder
Product	346 x 286 x H 366mm

Model CSH-01
Cone and sauce holder

Dimension



Pizza Warming and Serving Plate



New designed pizza warming and serving plate with candle holder for tea light candle.

Not only provide warming to pizza but the candle lighting also creates nice atmosphere for clients in enjoying the meal.

Features

- Aluminum tray facilitates thermal transfer
- Stainless steel construction stand
- Metal or glass candle holder
- Tea light candle for warming and lighting

Model	PCWP-34
Description	Pizza warming and serving plate
Tray diameter	For pizza dia. 340mm max.
Product	364 x 364 x H 222mm

Pizza Warming and Serving Plate



No. Part

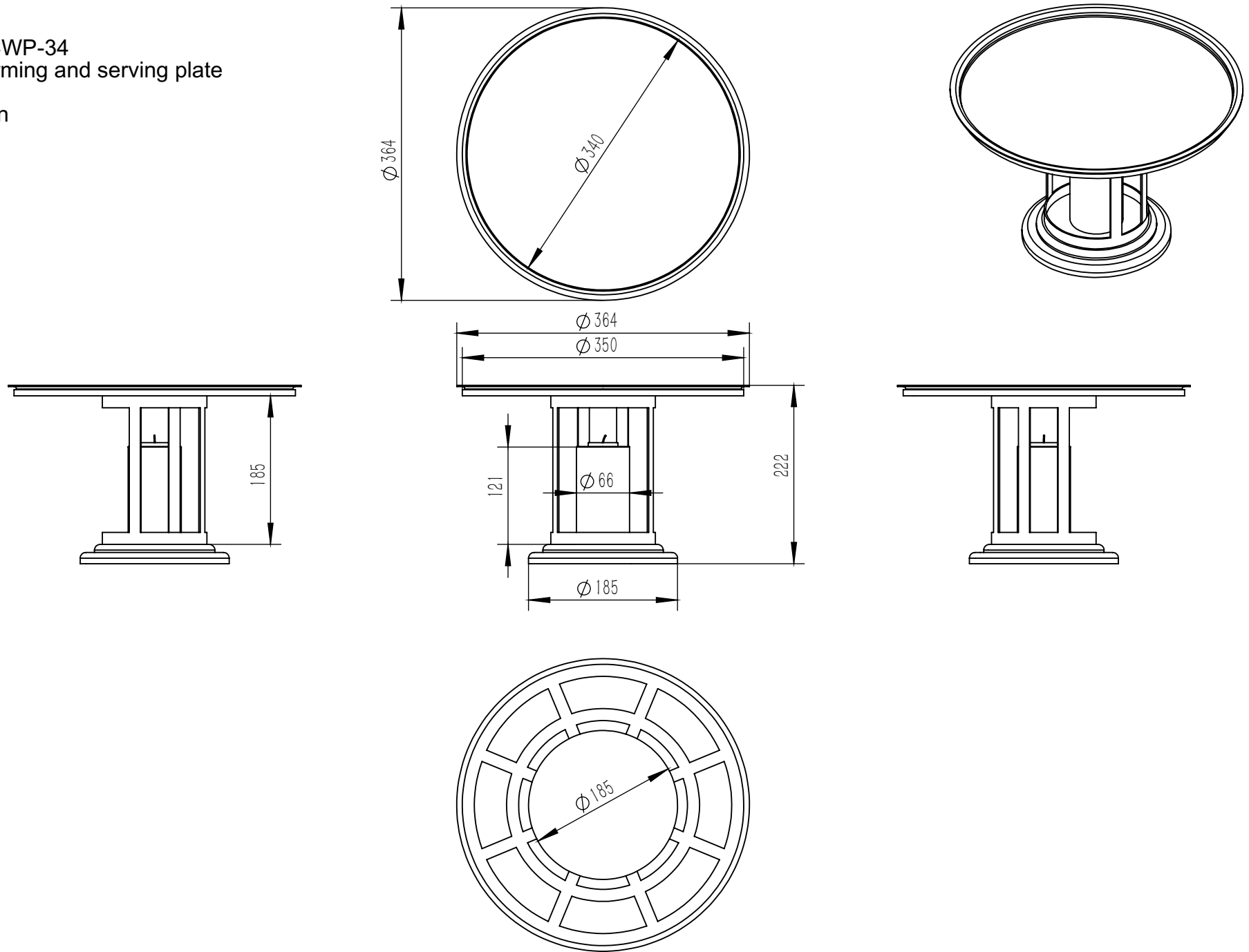
1	Aluminum pizza plate
2	Plate stand
3	Candle stand
4	Tea light candle



Tea light candle provides warming and lighting, that is easy to buy and not expensive.

Model PCWP-34
Pizza warming and serving plate

Dimension



Hotdog Holder



FOR 6" DOG



This hotdog holder allows you to hold 10 pcs of 6" hotdog, suitable for buffet, hotdog shop and party time. Made of stainless steel, this high quality holder holds up to 10 hot dogs / buns simultaneously with ease and display the hotdogs in a nice way.

Features

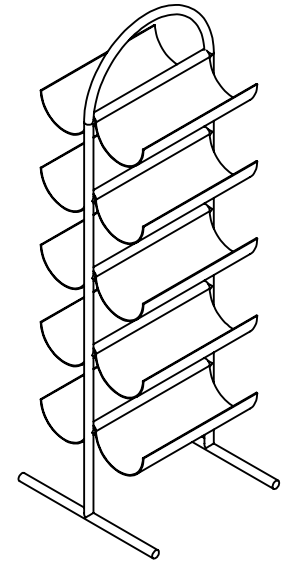
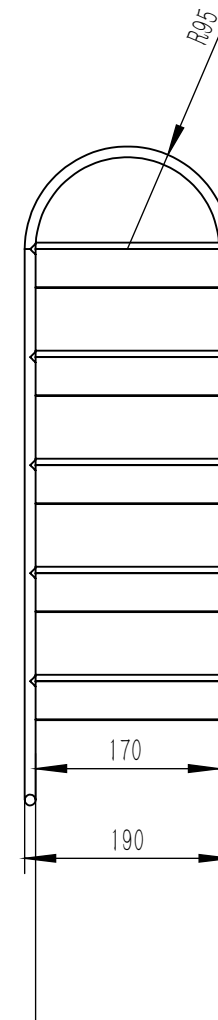
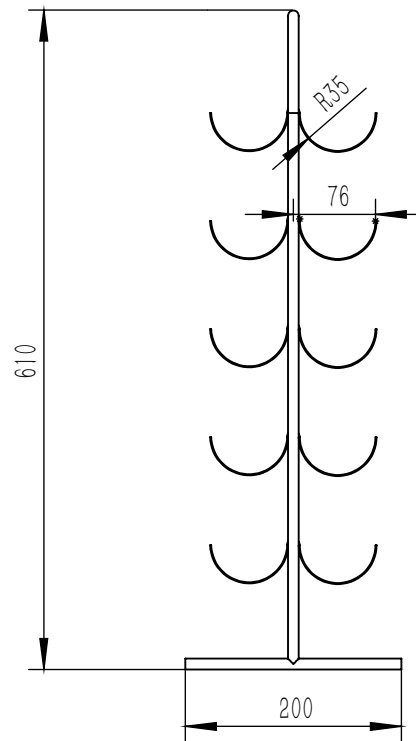
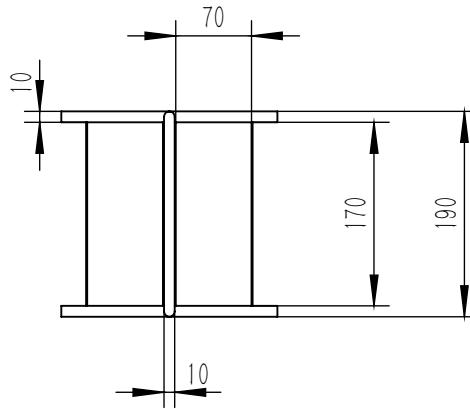
- Stainless steel construction
- Fit for standard 6" hotdog / buns
- Hold and display 10 hotdogs / buns simultaneously

Model	HDH-10
Description	Hotdog holder
Capacity	For 10 x 6" hotdogs / buns
Product	200 x 190 x H 610mm



Model HDH-10
Hotdog holder

Dimension



Trolley for Drop In Induction Hob



This is a trolley specially designed for drop in induction hob.

It provides chef a means to cook at the required position for serving clients in the best way.



drop in induction hob

trolley



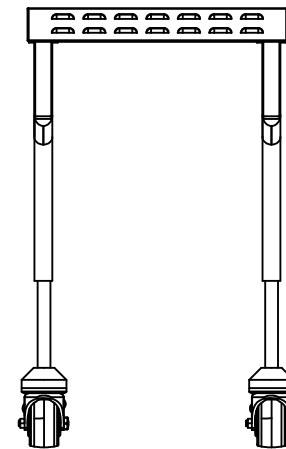
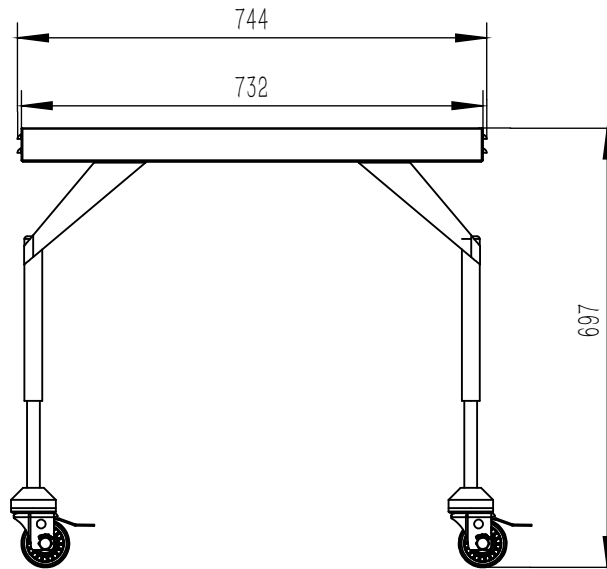
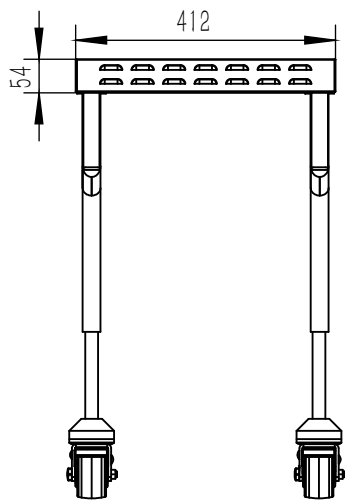
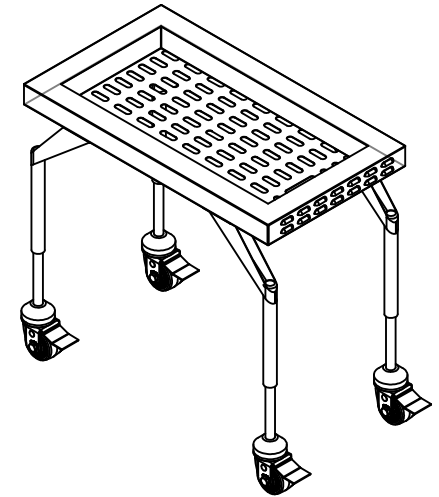
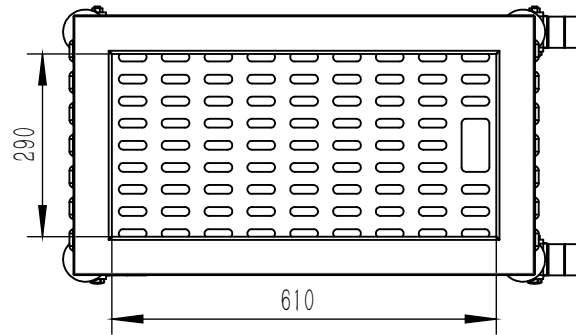
Features

- Stainless steel construction
- Fit for double head induction hob
- With holes for ventilation
- Wheels with braking system

Model	TIH-2
Description	Trolley for drop in induction hob
Product	744 x 290 x H 697mm

Model TIH-2
Trolley for drop in induction hob

Dimension



Mini Charcoal Rotisserie



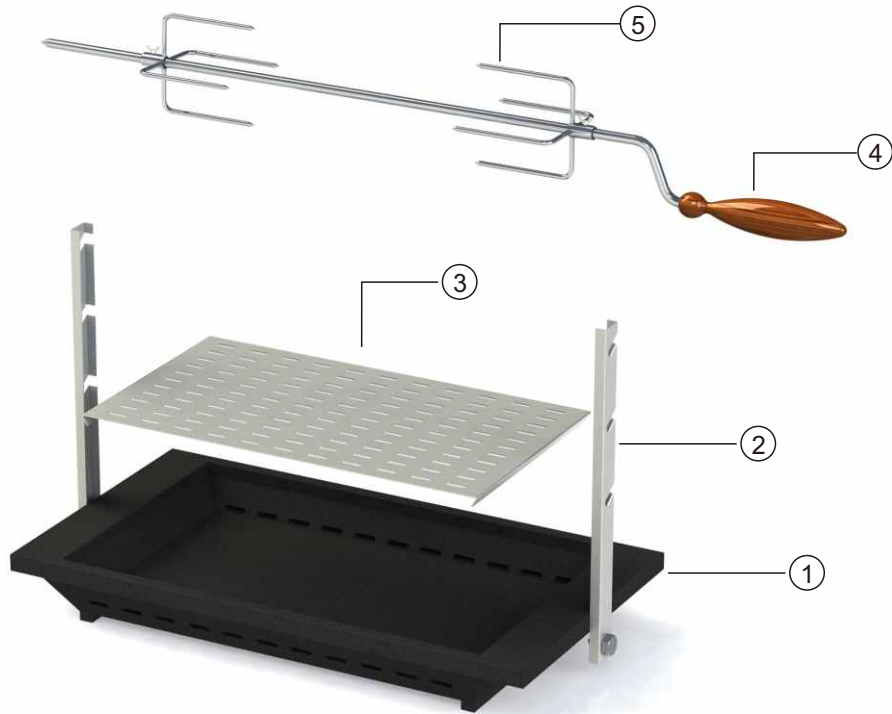
This new designed charcoal rotisserie let you taste the amazing flavor of chicken, meat or pork roasted perfectly over charcoal. It is a small sized rotisserie that is not only suitable for outdoor but also good for indoor use such as in restaurants, hotels and even in buffets.

Features

- Stainless steel roaster pin
- 2 x Prong fork
- Stone charcoal basin with holes for air inlet
- Stainless steel perforated plate

Model	MCR-11
Description	Mini charcoal Rotisserie
Product	897 x 326 x H 406mm

Mini Charcoal Rotisserie



No.	Part
1	Charcoal basin, made of stone
2	Vertical pipe with structure of adjusting position of the roaster pin
3	Stainless steel perforated plate for holding charcoal
4	Roaster pin
5	Prong split pin

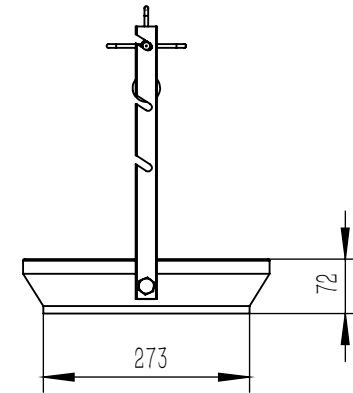
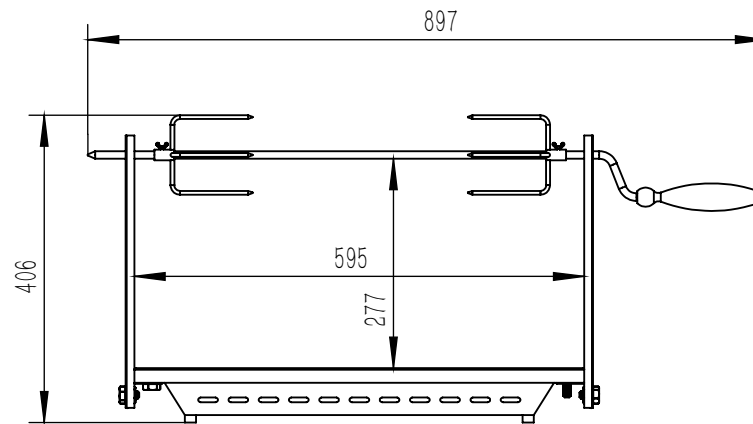
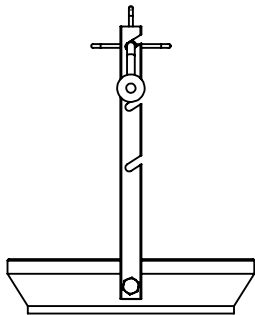
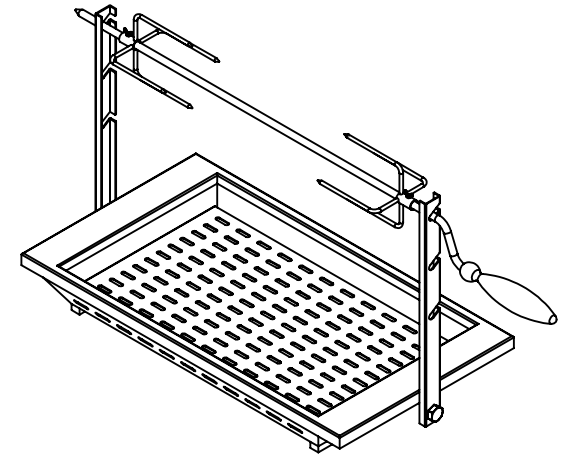
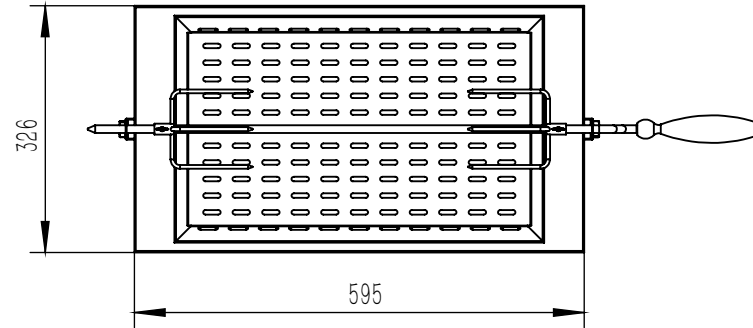


There are holes at the side walls of the charcoal basin. Air enters into the basin from these holes, and then flows upward to through the perforated holes of the stainless steel plate. This inlet air ensures complete combustion that enhance the burning temperature and avoiding from carbon monoxide.



Model MCR-11
Mini charcoal Rotisserie

Dimension



Tea Infusing Bridge



The tea infusing bridge let you serve 5 different kind of tea at the same time. Design looks like laboratory apparatus enhances the fun for making tea.

Model	TIB-5
Description	Tea infusing bridge
Funnel capacity	80 mL
Cup capacity	40 mL
Product	610 x 105 x H 134mm

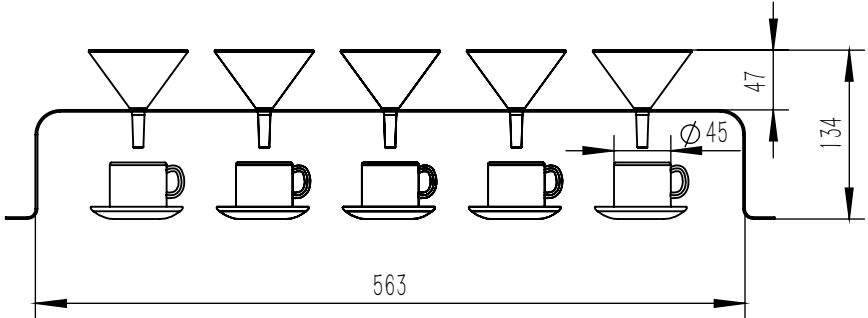
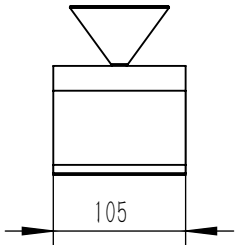
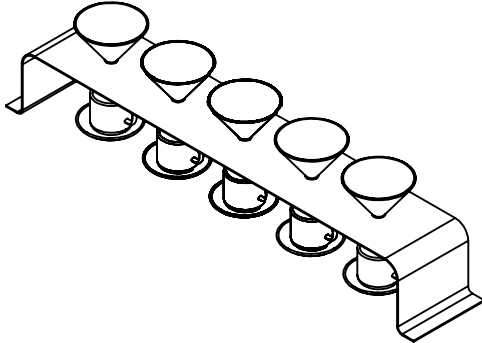
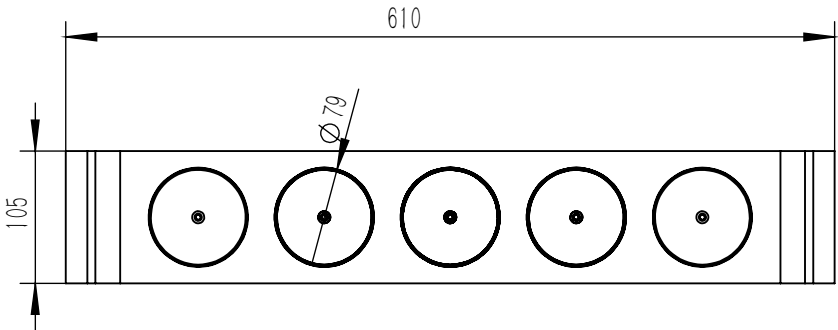
Features

- Stainless steel framework
- Glass funnels
- Glass cups and ceramic saucers



Model TIB-5
Tea infusing bridge

Dimension



Cake Stand



This special designed cake stand incorporates the idea of a diamond ring. With a 275mm diameter round plate, the cake stand is suitable for cakes of popular sizes.

Suitable for hotels, restaurants, and special events such as wedding and birthday celebration.

Features

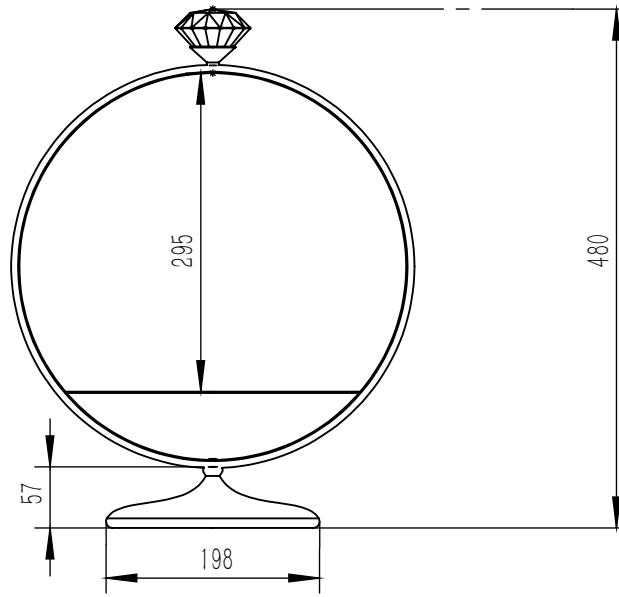
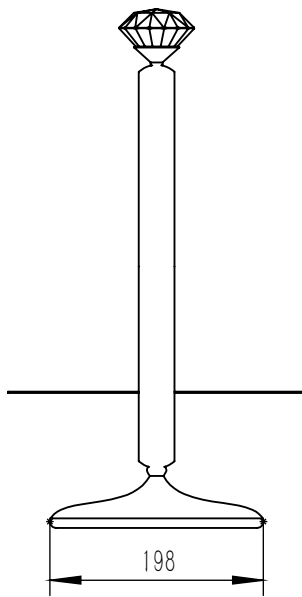
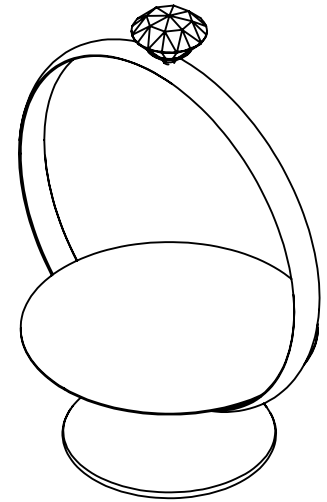
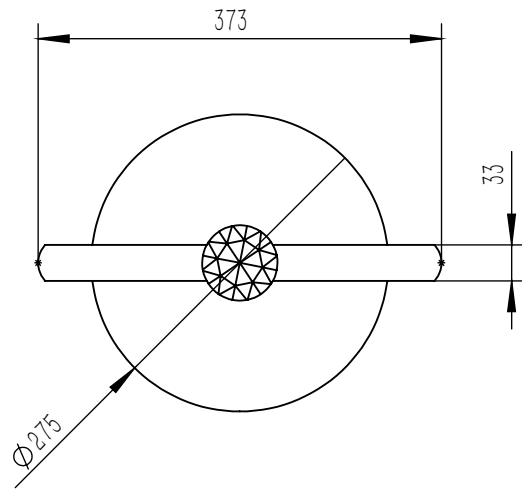
- Stainless steel construction
- Round plate of diameter 275mm
- Simulated diamond made of best cutting glass

Model	CSD-275
Description	Cake stand
Round plate	Dia. 275mm
Product	373 x 275 x H 480mm



Model CSD-275
Cake stand

Dimension



Ice Food Tray



Special designed cooling food display with ice and food tray.

Suitable for displaying sushi and other cold food in hotels, restaurants and buffet.

Features

- Stainless steel construction
- Ice tray for storing ice
- Hemisphere cover as optional

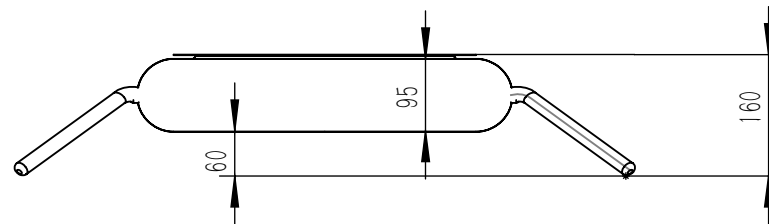
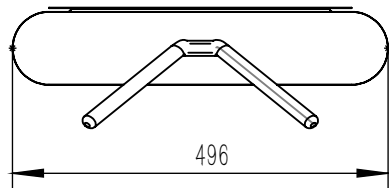
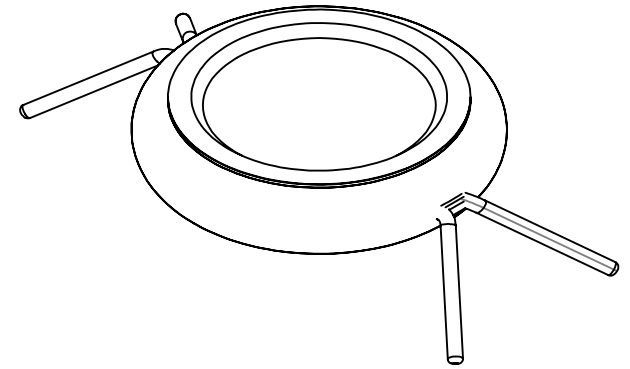
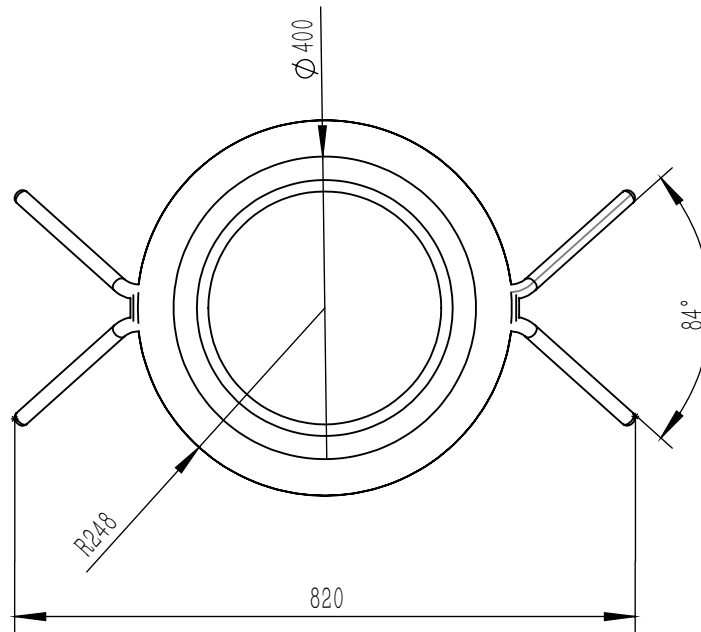
optional cover



Model	ICT-R1
Description	Ice food tray
Food tray	Dia. 400mm
Product	820 x 496 x H 160mm

Model ICT-R1
Ice food tray

Dimension



Squeeze Sauce Bottle



The ball shape squeeze bottle for sauce made of soft and semi-transparent plastic allows user to squeeze sauce out from the bottle easily.

Ball shape and simple design with shiny polished curve stand create special and charming outlook for hotels and restaurants.

Features

- Soft and semi-transparent plastic
- Shiny polished stainless steel curved stand

Model	BSB-3
Description	3 sauce bottles with stand
Squeeze bottle	0.25 L.
Stand	250 x 120 x H 85mm
Whole set	283 x 120 x H 145mm

Squeeze Sauce Bottle

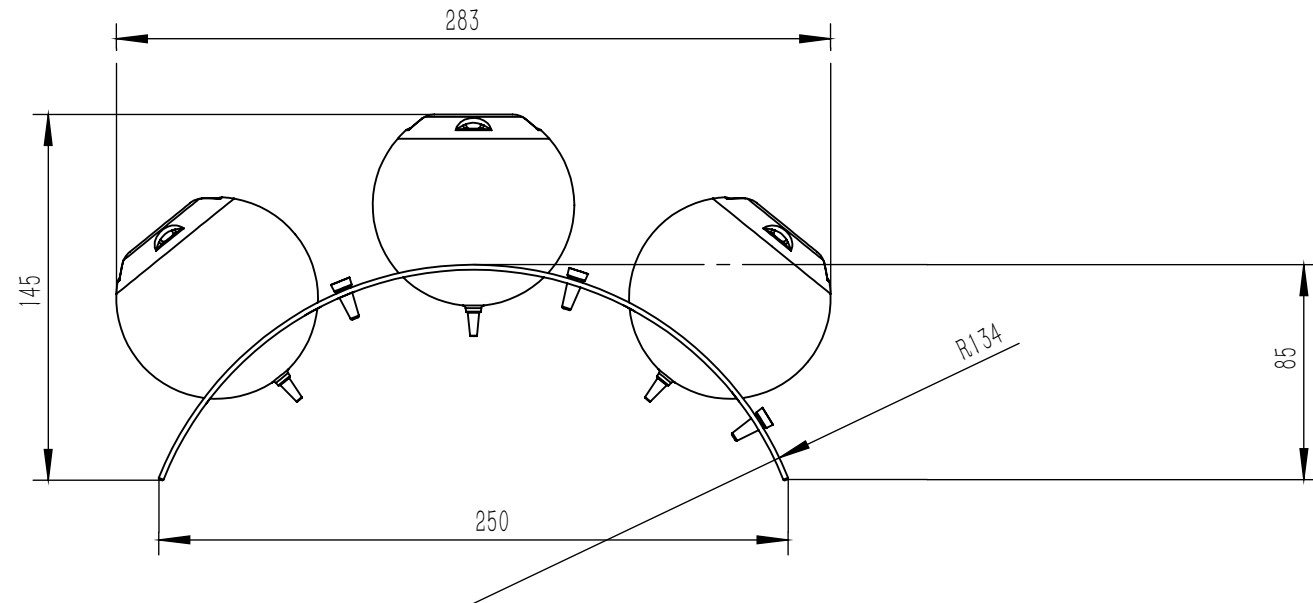
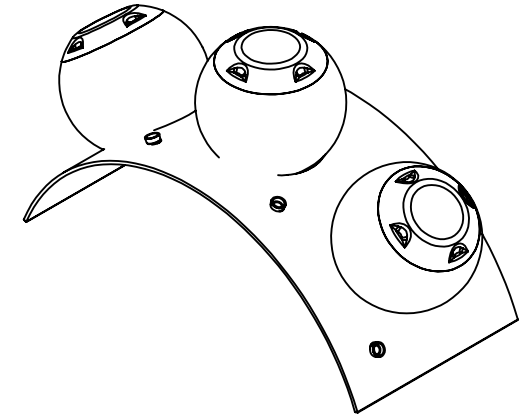
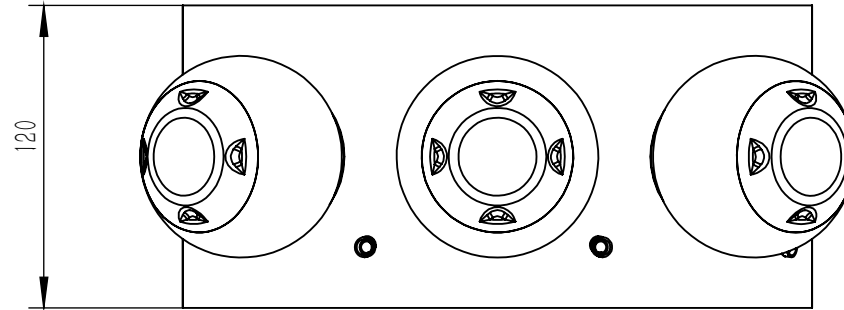
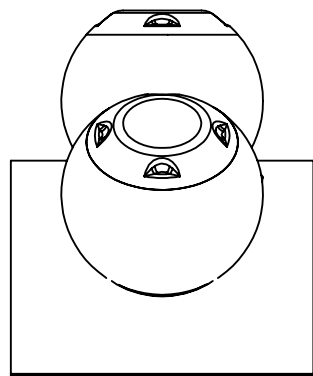


Model	BSBT-25
Description	Sauce bottle
Capacity	0.25 L.
Product	Dia 80 x H 92mm



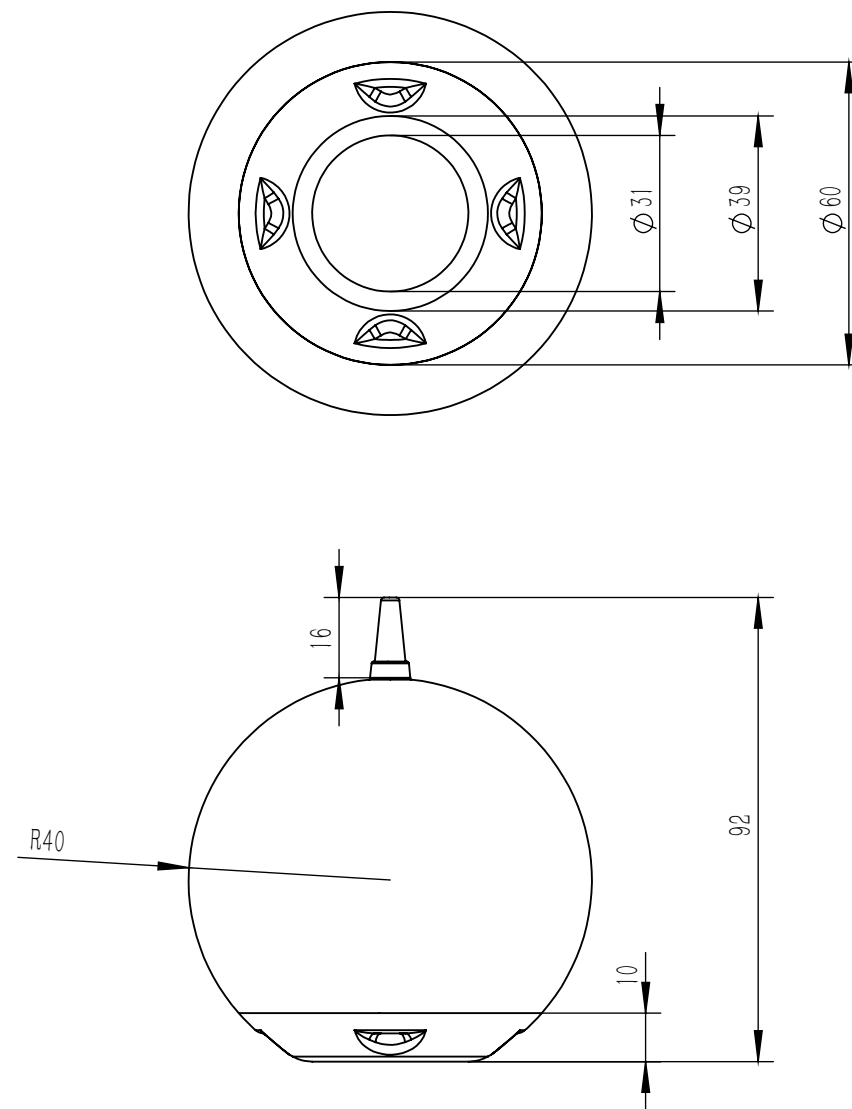
Model BSB=3
3 sauce bottles with stand

Dimension



Model BSBT-25
Sauce bottle

Dimension



Wine Cooler Sphere



Features

- Mirror polished sphere housing
- Round cover for retaining cold
- Hinge stopped at fixed angle
- Semi-sphere cutting line tilted at angle 20°



The stainless steel sphere wine cooler suitable for standard wine bottles..

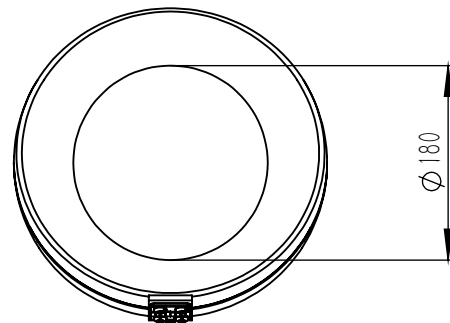
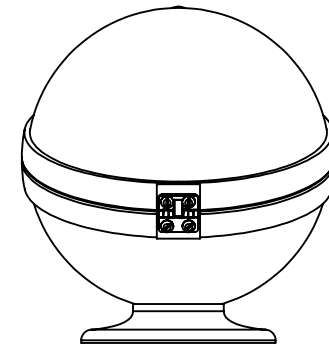
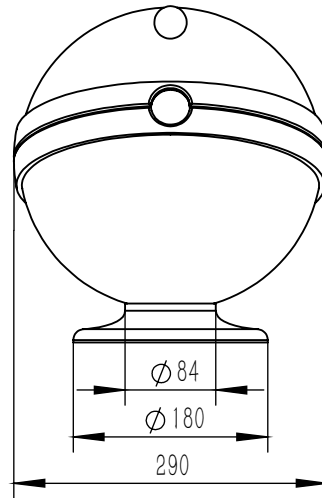
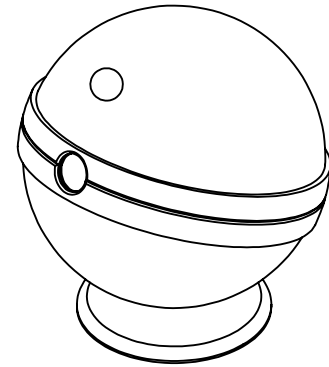
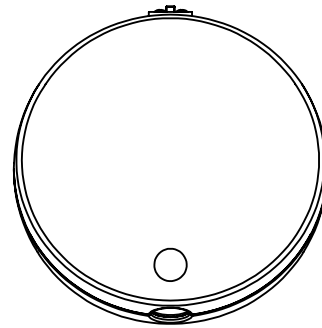
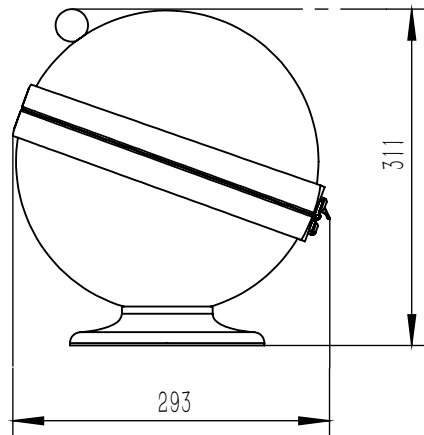
Mirror polished housing with ball shape handle and round base makes it elegant for hotels, restaurants, bars and all catering events.

Model	WCS-280
Description	Wine cooler sphere
Diameter	280mm (internal)
Product	290 x 293 x H 311mm

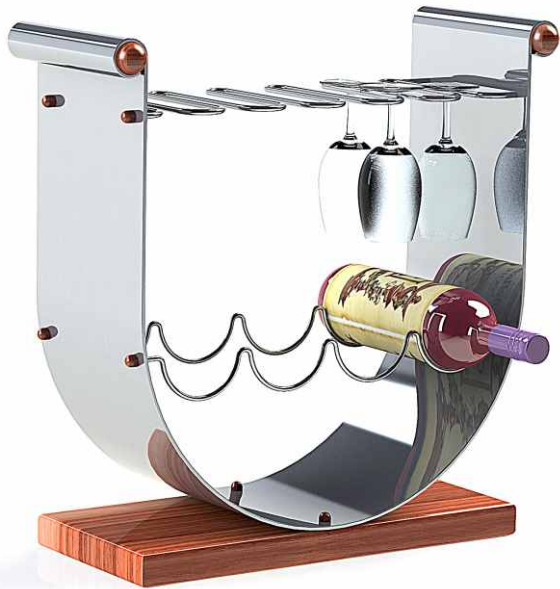


Model WCS-280
Wine cooler sphere

Dimension



Wine and Glass Holder



The wine glass and bottle holder fits 12 wine glass at the upper section and 4 wine bottle at the lower section.

Mirror polished housing with wooden handle and base makes it elegant for hotels, restaurants, bars and all catering events.

Features

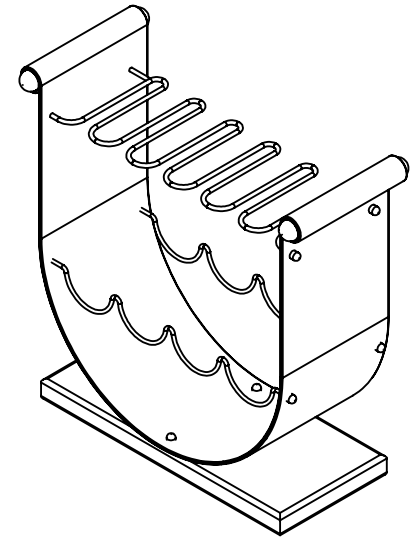
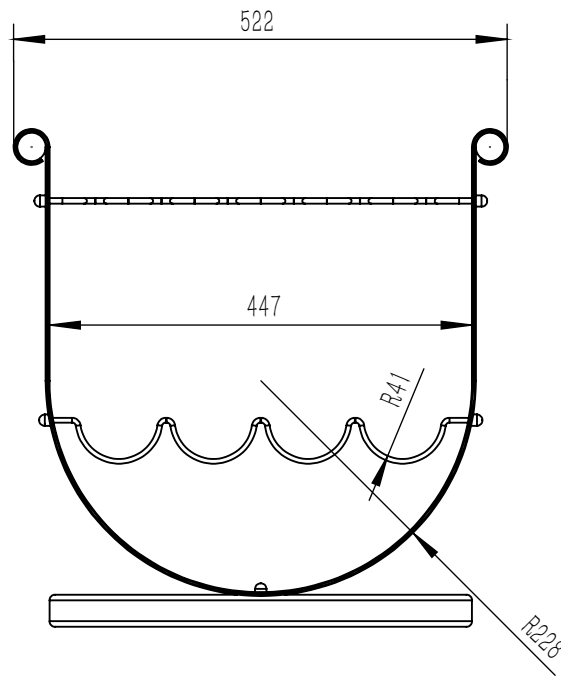
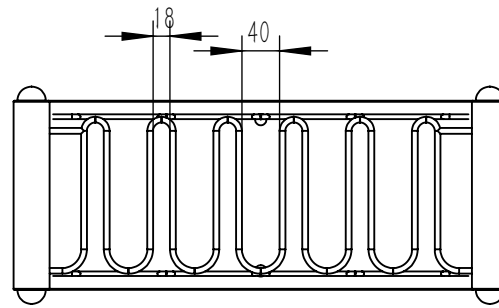
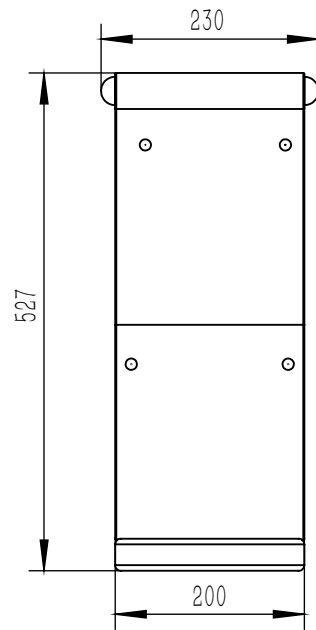
- Mirror polished U shape housing
- Wooden base and handle
- Holds 12 wine glass by the upper wire
- Holds 4 wine bottles by lower wires

Model	FU-4
Description	Wine glass & bottle holder
Holds	12 x wine glass dia 65mm 4 x wine bottle dia 82mm
Product	522 x 230 x H 527mm



Model FU-4
Wine glass and bottle holder

Dimension



Food Warmer



These food warmers with grid or GN 1/1 tray are good alternative to ordinary chafing dish.

Suitable for buffet, hotels, restaurants and bars food display and warming.

■ Food warmer with grid



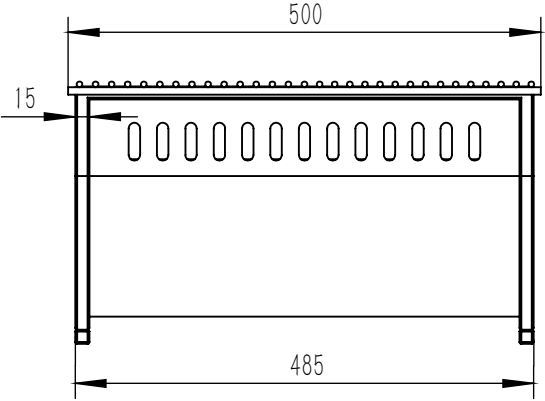
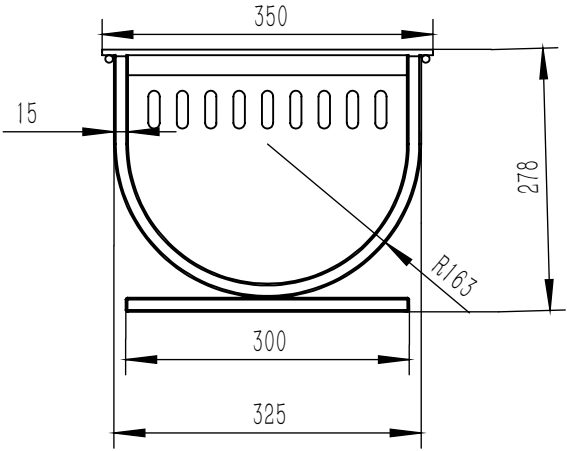
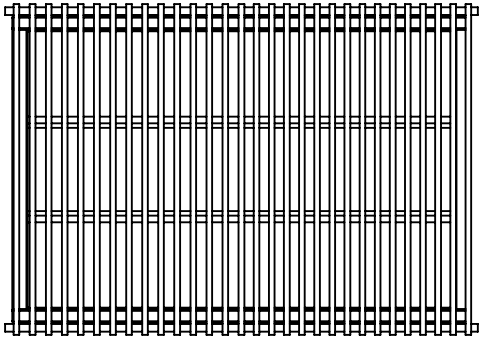
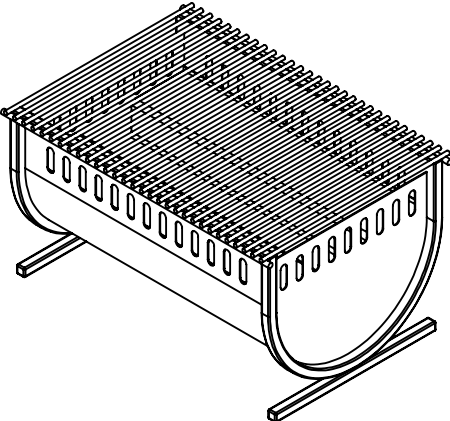
■ Food warmer with GN 1/1 tray



Model	FW-G	FW-T
Description	Food warmer	
Accompany	Grid	GN 1/1 tray
Product	500 x 350 x H 278mm	520 x 330 x H 273mm

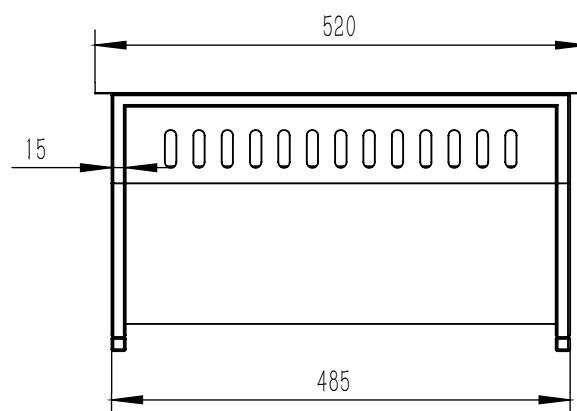
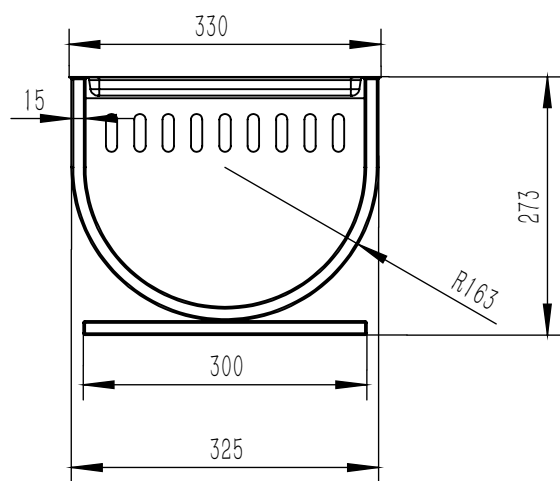
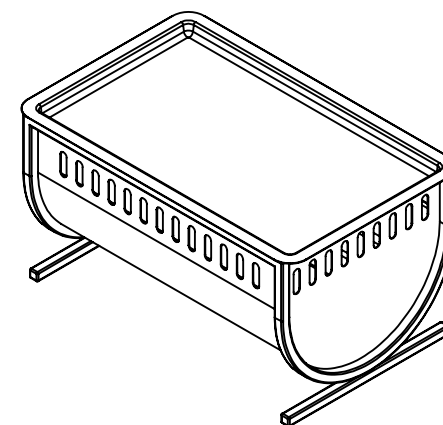
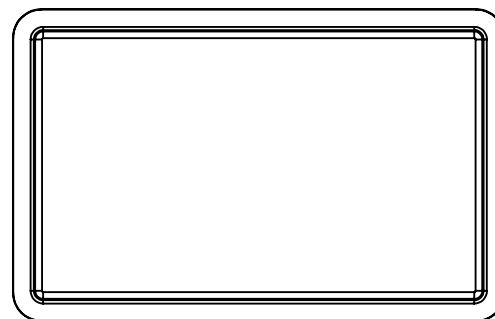
Model FW-G
Food warmer with grid

Dimension



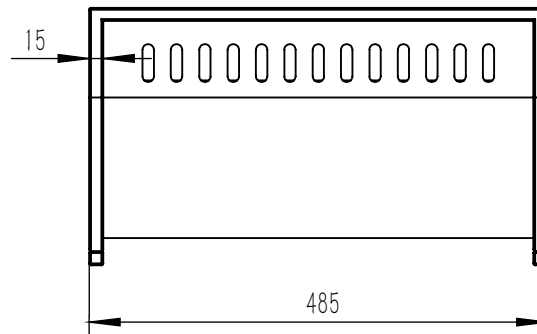
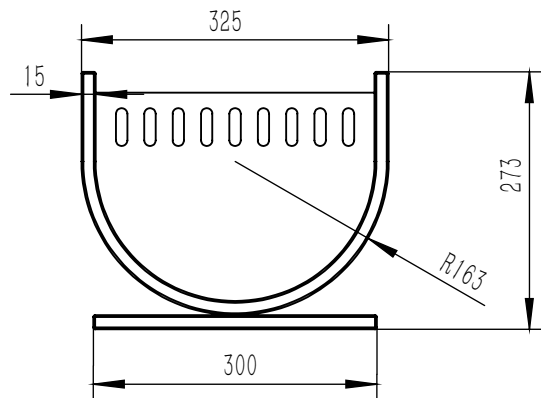
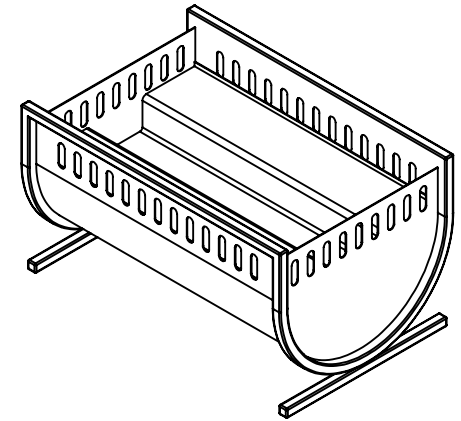
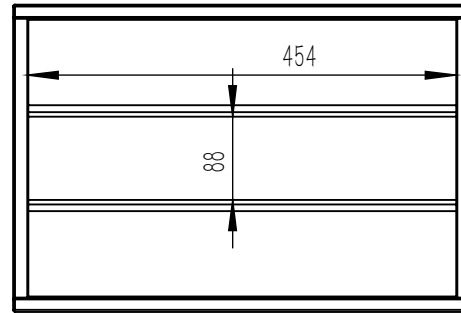
Model FW-T
Food warmer with GN 1/1 tray

Dimension



Model FW-O
Food warmer without grid and tray

Dimension



Fondue (EF-01, EF-02)



These fondue sets are constructed of mirror polished stainless steel 4mm thick.

They use standard chafer burners and standard GN 1/6 pan for warming pot.

Simple construction that just be manufactured by laser cutting and bending.

■ Fuel



■ Each comes with 6 fondue forks



Features

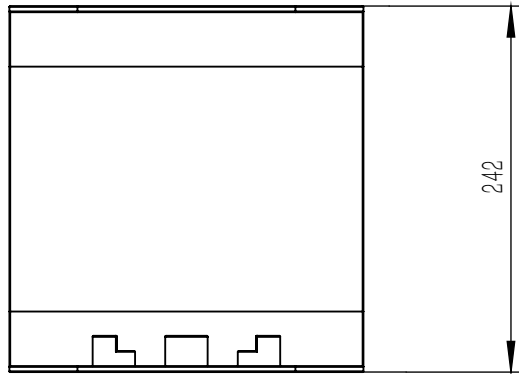
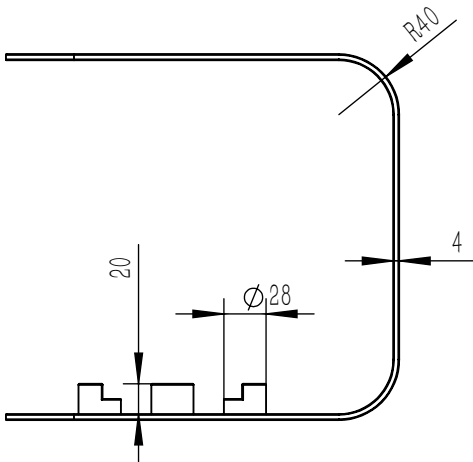
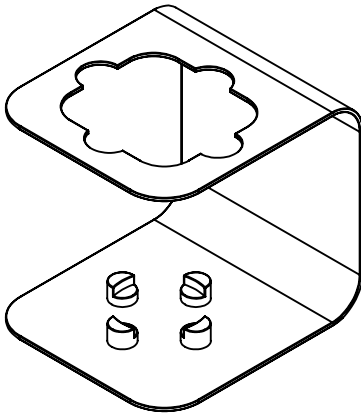
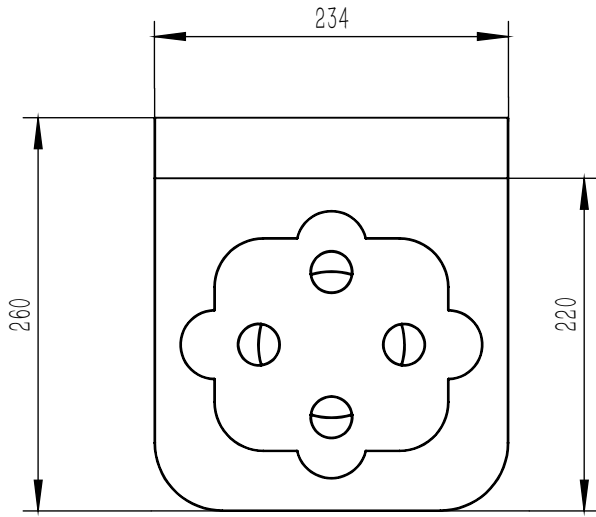
- Stainless steel framework
- Fits standard GN 1/6 pan
- Work with standard chafer heater
- Each with 6 fondue forks

Model	EF-01	EF-02
Description	Fondue set	
Pots	1 x GN 1/6	2 x GN 1/6
Product	234 x 260 x H 242mm	468 x 260 x H 242mm

Model EF-01

Fondue, fits 1 x GN 1/6 pan

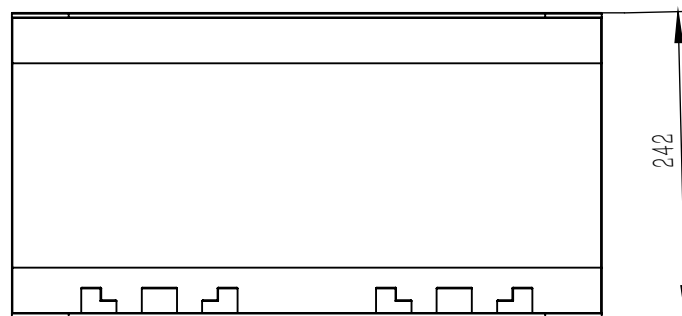
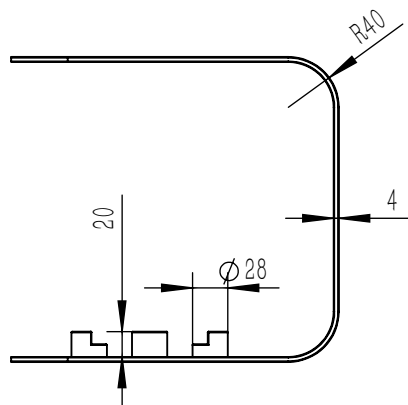
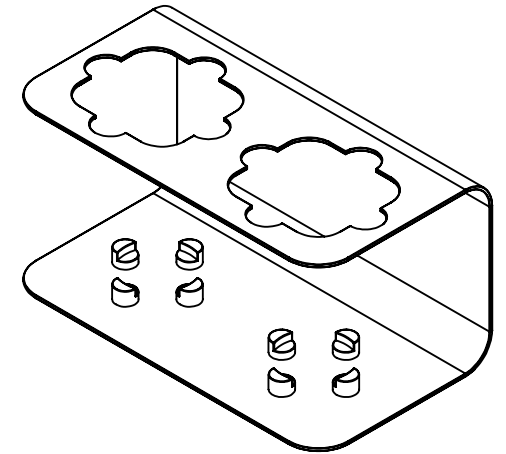
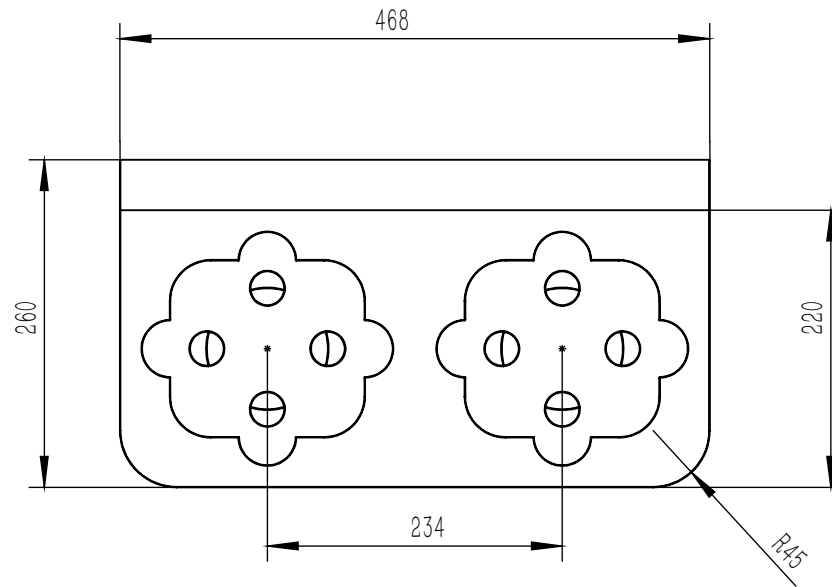
Dimension



Model EF-02

fits 2 x GN 1/6 pan

Dimension



Fondue (SL-01, SL-02)



These fondue sets are constructed of mirror polished stainless steel 1.2mm thick.

They have stainless steel fuel holders and cooking pots. Each comes with fondue forks and multi-ply metal pots.

Elegant design especially suitable for high end hotels and restaurants.



Fondue (SL-01, SL-02)



■ Fuel

- Each pot comes with 6 fondue forks



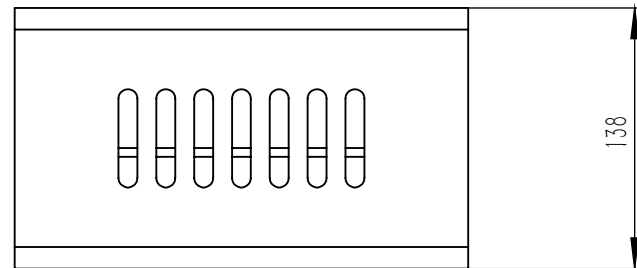
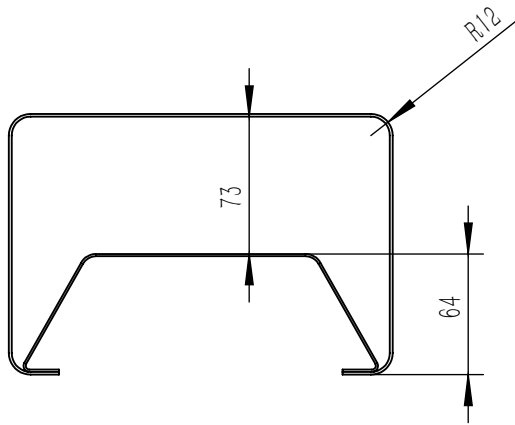
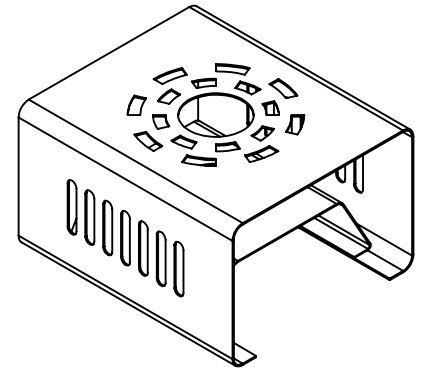
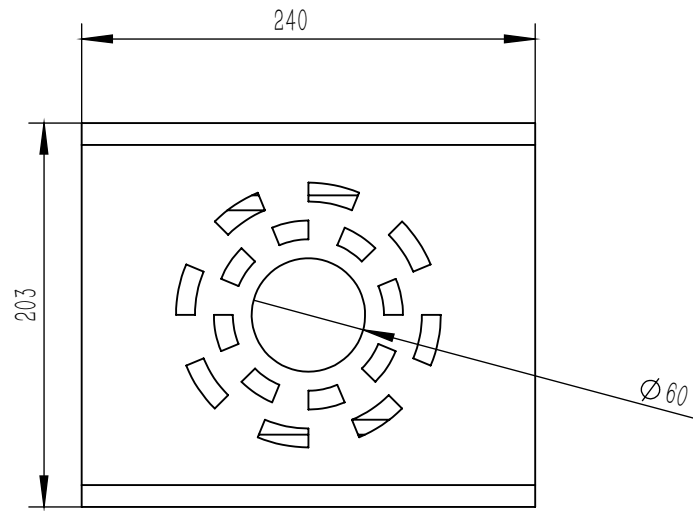
Features

- Stainless steel framework
- Multi-ply metal pot
- Work with standard chafer heater
- Each pot with 6 fondue forks

Model	SL-01	SL-02
Description	Fondue set	
No. of pots	1	2
Product	240 x 203 x H 138mm	440 x 203 x H 138mm
	(Dimension not including cooking pot)	

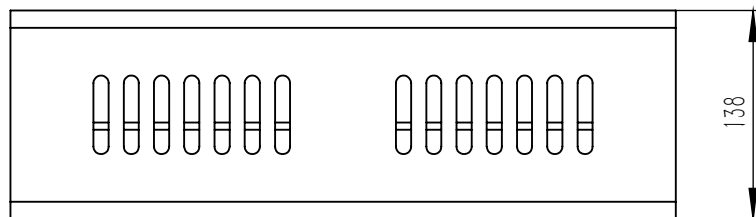
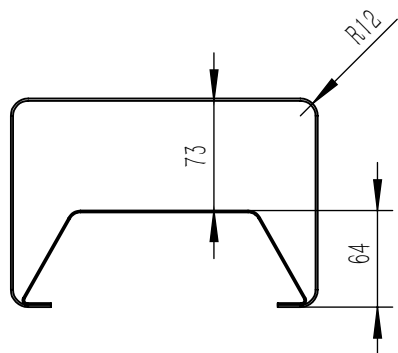
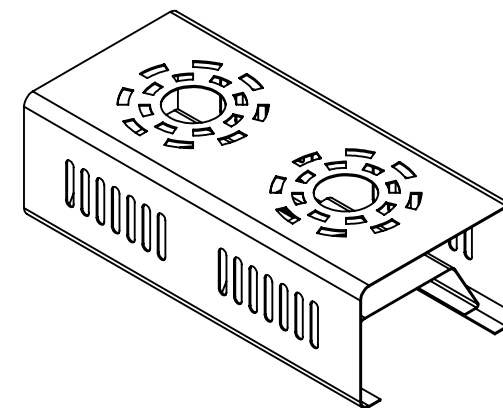
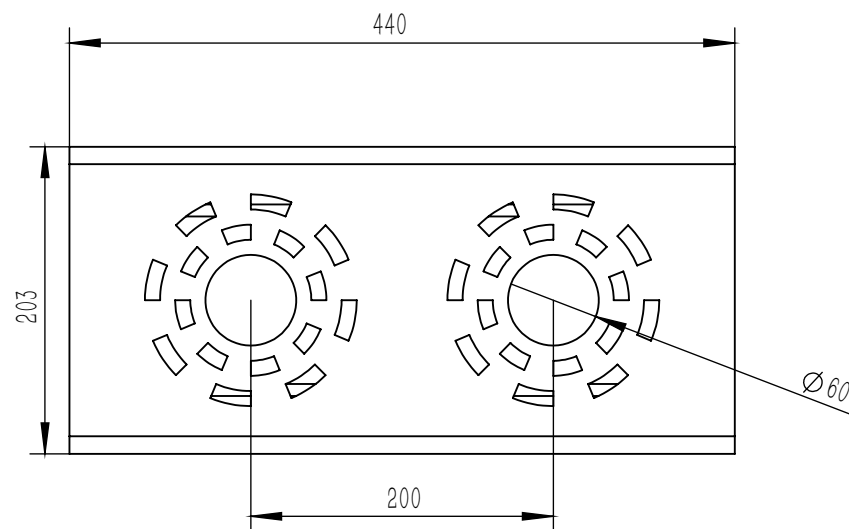
Model SL-01
Fondue set - single

Dimension



Model SL-02
Fondue set - double

Dimension

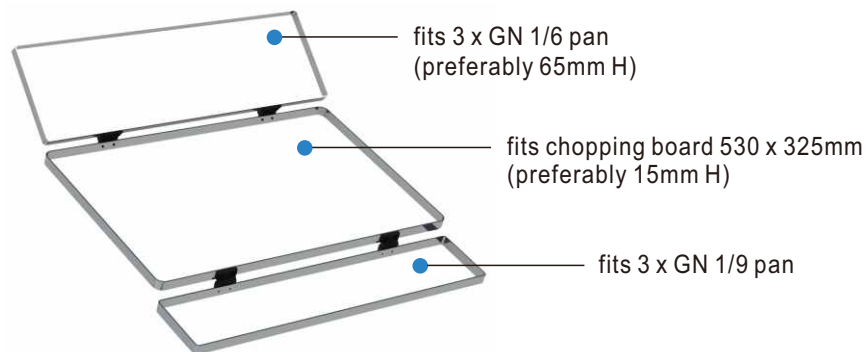


Chopping Board Frame



The stainless steel frame fit chopping board of GN 1/1 size can hold GN pans for professional chef operating.

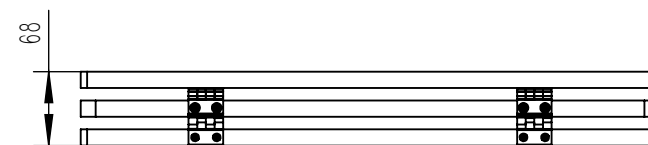
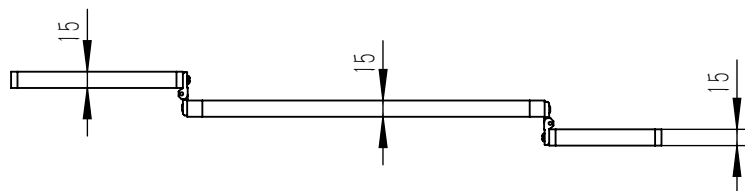
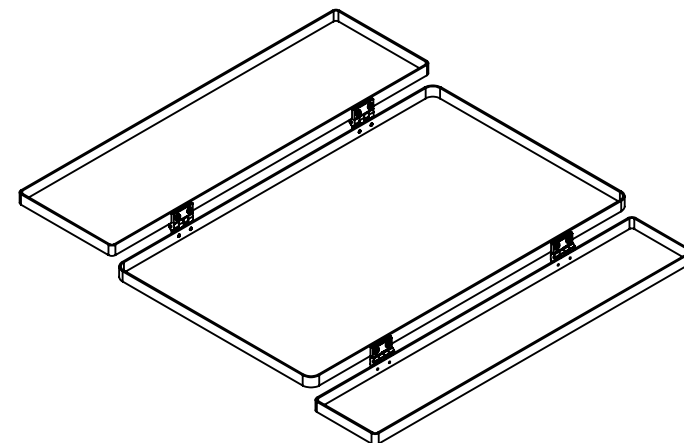
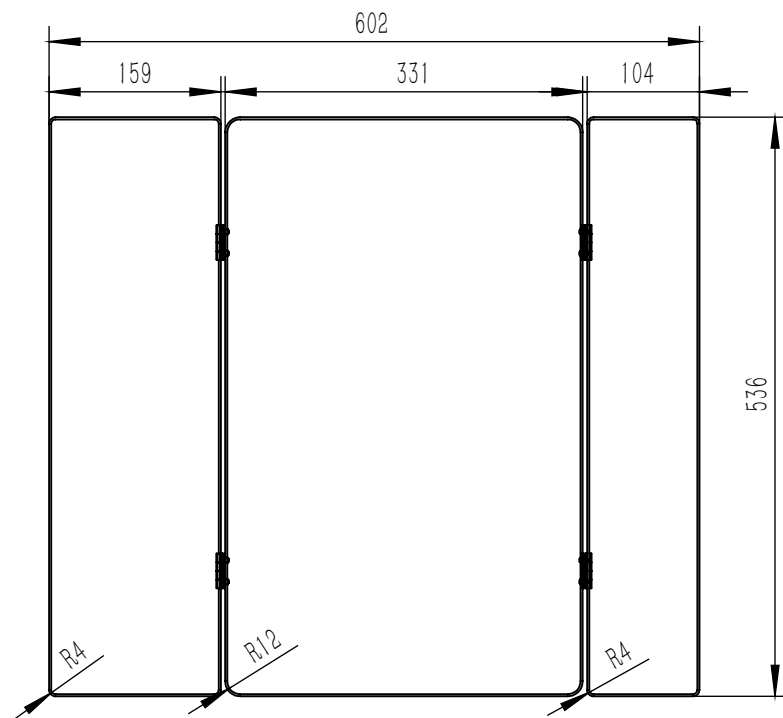
Chef can put different food into GN pans immediately after chopping, thus enhance efficiency in an easy way.



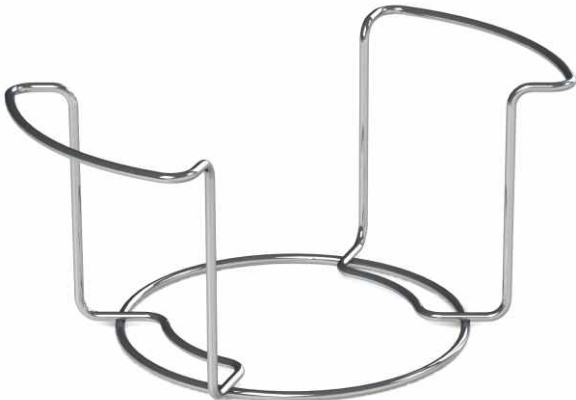
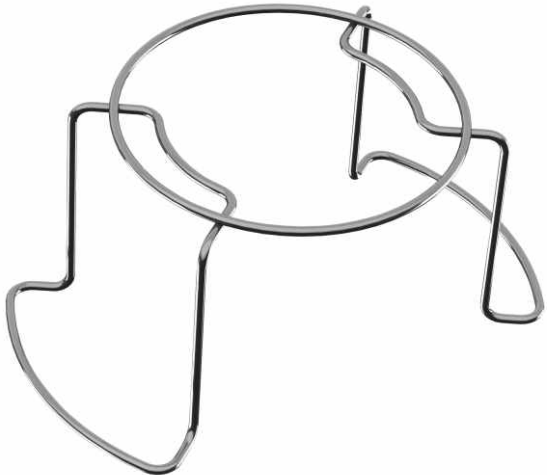
Model	CPK-69
Description	Stainless steel frame for chopping board GN 1/1
For pans	3 x GN 1/6 & 3 x GN 1/9
Product	602 x 536 x H 68mm (after completely flatten)

Model CPK-69
Chopping board frame

Dimension
(product flatten for measuring)



Serving Plate Stand

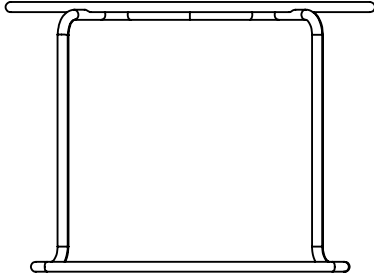
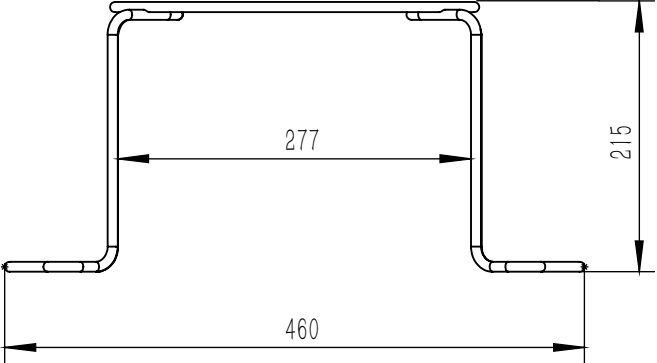
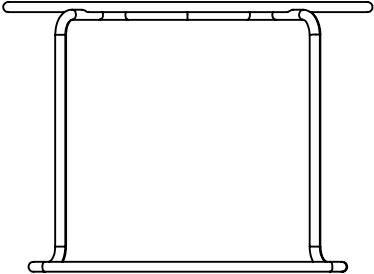
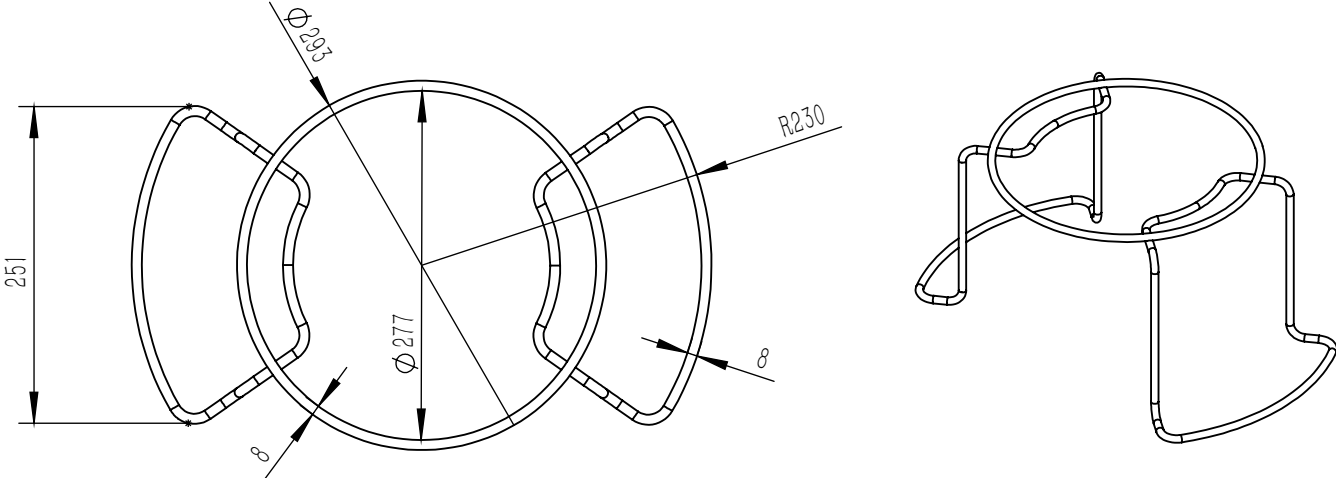


The serving plate stand has dual function for food display and storing pile of plates. Thus it is suitable for food serving in buffet, restaurants, hotels and bars.

Model	PS-300
Description	Serving plate stand
For serving plate	Dia. 300mm
Product	460 x 293 x H 215mm

Model PS-300
Serving plate stand
for plate dia. 300mm

Dimension



Glass Sphere Food Display



The glass sphere food display provides a new idea to present food in buffet, restaurants and hotels.

With transparent body, customers can see through the glass to see the food.

Transparent food cover at the front gives excellent experience to users in opening and taking foods inside.



Model	GSFD-40
Description	Glass sphere food display
Glass size	Dia. 400mm
Product	440 x 440 x H 477mm



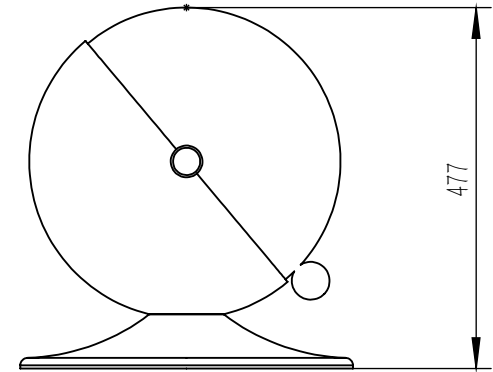
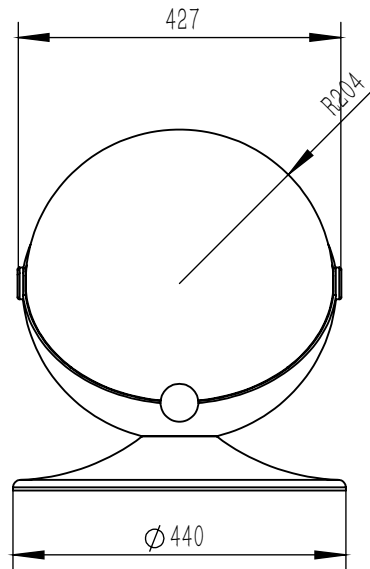
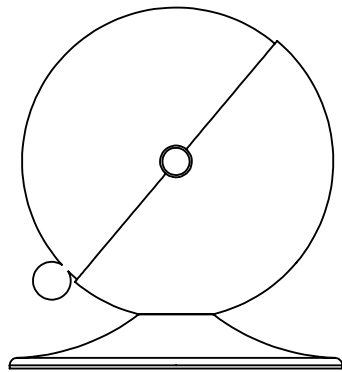
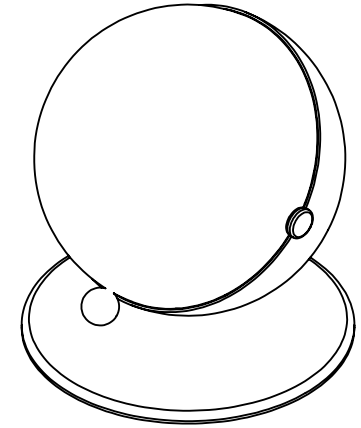
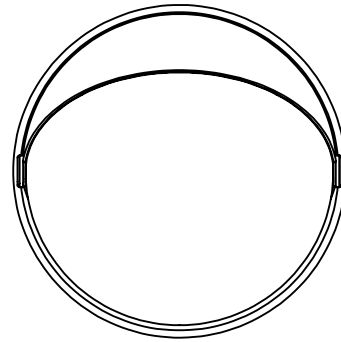
to open cover



to close cover

Model GSFD-40
Glass sphere food display

Dimension



Soup Pot Stand



The soup pot stand can hold 4 pcs of 6.5L soup pot for display. Each soup pot with cover holding structure for easy use.

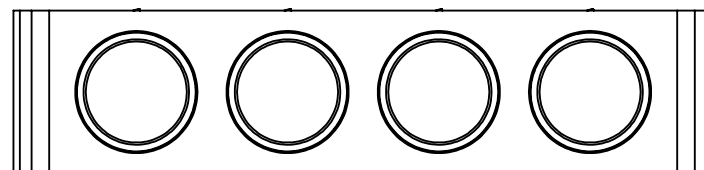
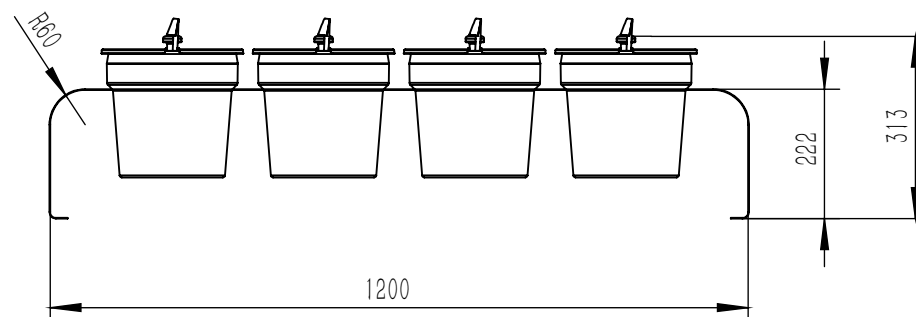
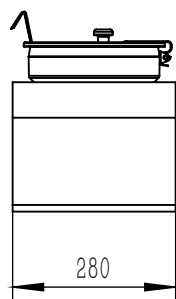
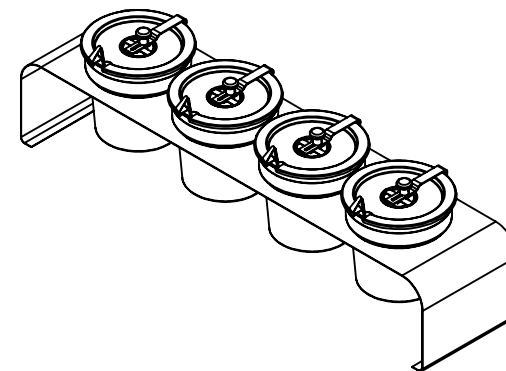
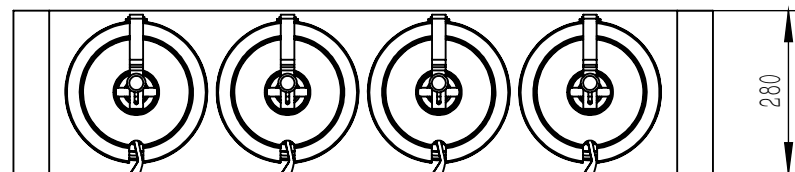
With charming mirror polishing stainless steel finishing, the soup pot stand is perfect food display in first grade hotels and restaurants.



Model	SPS-4x65
Description	Soup pot stand
Size	For 4 x 6.5 L soup pot
Product	1200 x 280 x H 313mm

Model SPS-4x65
Soup pot stand for 4 x 6.5 L.

Dimension



Food Display with Covering



The Food Display with covering fits GN 1/1 food tray that let you have food display in a nice way and minimize contamination with dust from the atmosphere. Good for buffet, restaurant and hotel.

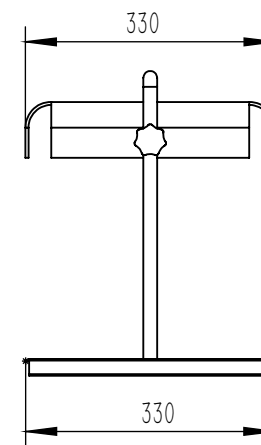
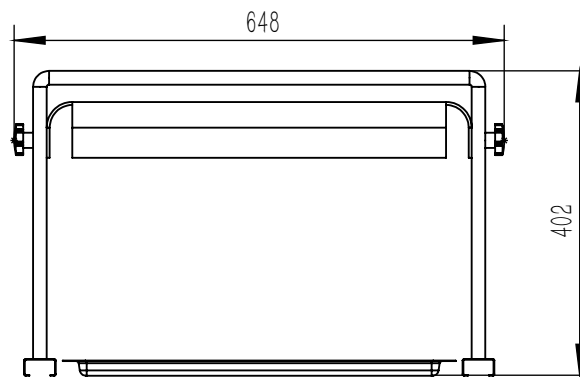
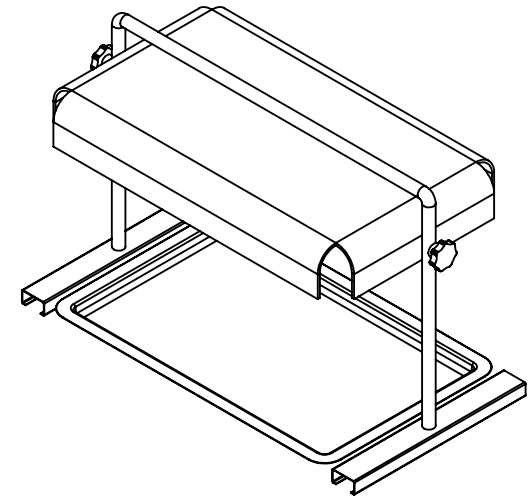
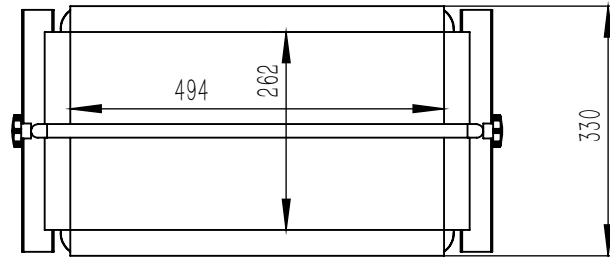
Stainless steel structure and acrylic transparent covering.



Model	FDSC-11
Description	Food display with covering
Size	For GN 1/1 food tray
Product	648 x 330 x H 402mm

Model FDSC-11
Food display with covering, GN 1/1

Dimension



Food Display Stand



The Food Display Stand with GN 1/1 tray provides you a nice way to display your food in buffet, restaurant and hotel.

Simple structure with polished stainless steel frame and feet gives elegant feeling.



Model	FDS-11
Description	Food display stand
Size	For GN 1/1 food tray
Product	642 x 402 x H 116mm

Model FDS-11
Food display stand, GN 1/1

Dimension

