

# SUPERIOR DESIGN

For us, design is a journey. Starting from a designer's mind to binary codes of a super computer then further into the flame up to 2200°F, where it reaches its final destination: Innovation.

For us design is about transformation, process and form, technology and texture. It is the journey for and with humans.



Strength in our design comes from our Diversity

DESIGN TEAM





# WHAT WE DO

Midea offers a broad range of commercial ovens to satisfy every food service need. Unprecedented performance, user-friendly interfaces and superior design are a few of the Midea advantages that makes us the supplier of choice for all commercial needs.



## MEETS ALL FOOD SERVICE DEMANDS

Our range of commercial ovens are all-purpose units that will cook virtually anything, from Apple to Zucchini. No matter the type of food there is always a suitable oven for your menu needs. Commercial ovens are an essential addition to many restaurants , convenience stores , and employee break

rooms . They quickly heat and cook different portions of food for the ultimate in convenience. Although they are similar in functionality to residential units , they are more powerful and meet commercial regulations.

### Commercial Microwave Oven Ideal Applications

-  Convenience Stores
-  Hospitals
-  Quick-Serve Restaurants
-  Food Banks
-  Coffee Shops
-  Dormitory
-  Health Centers
-  Long Term Care Center
-  Super Markets
-  Railway Stations
-  Bakery
-  Juice Bars
-  Bars
-  Schools
-  Stadiums
-  Cruise Lines

# MIDEA'S HIGHER WATTAGE COMMERCIAL OVENS

No more waiting for your customers with Midea's higher Wattage commercial ovens.



Higher Wattage means shorter Cook Times

Model	Wattage (W)	Cooking Time (min)	Quantity (per hour)
1025F1A	1000	3:10	19
1034N1A	1000	3:10	24
1234G1A	1200	2:15	26
1817G1A	1800	1:50	30
2117G1A	2100	1:20	45

\* Example: one lb. of fresh vegetables (approx.)

# High Performance



## Fast

Fast reheating and steaming with greater throughput and more consistent results.

## Efficient

Efficient heating system for better even heating with double rotating antennas.

## Superior

Better results with superior retention of food nutrients, texture and color as high power microwave cooking is so fast and requires only minimal amount of added water.

# User Friendly

1817G1A



## Stainless steel cabinet and oven cavity

Durable construction perfectly adapted to the commercial environment

## USB Menus updatable system

Menus can be updated based on chain restaurant requirements, then sent to all the ovens in the chain for consistent results

## Removable splatter shield

Easy to clean

## Grab'n Go handle

Strong and reliable, no moving parts

## Easy to control

User-friendly controls and user interface

## Stackable installation

Space utilization optimization

# Full Product Line

A commercial microwave is one of the most essential pieces of equipment for any restaurant, concession stand, fast food establishment or catering operation. Whether simply heating up soup for a customer's order, cooking entrees or steaming vegetables, a microwave oven will help completing all heating and preparation needs in a timely manner. Choose from light duty for low-volume applications, medium or heavy duty models for more frequent use. We also offer different Wattage options for low-to high-volume applications. All ovens include Culinary Appliance Applications support.

## Scan&Go Microwave 1200W

Proprietary IR Scanner reads the foods' bar-code as it is placed in the oven assuring cooking accuracy.



17 L Series

## High Speed Oven

Large cavity accommodates a 12" pizza or sub sandwich with space friendly footprint. Stainless steel finish assures easy maintenance and great appearance.



HSO G1

## Heavy Duty 1800 - 2100 W

4 to choose from  
Ideal for high-volume kitchens where through-put is a must. Heavy duty microwaves can quickly reheat and cook large portions of food.



17 L Series



34 L Series

## Medium Duty 1200 - 1400 W

3 to choose from  
For high-volume tasks in busy food service and institutional establishments.



34 L Series



34 L Series

## Light Duty 1000 W

5 to choose from  
These models are great for fast reheating tasks at concession stands, break rooms, vending locations and other establishments.



34 L Series



34 L Series



25 L Series



25 L Series

# NEW! Product

**FLASHCHEF™ HSO™**

Midea **FLASHCHEF™** High Speed Oven provides incredible performance where professional cooking results are needed. With breakthrough dual impingement system, Midea **FLASHCHEF™** High Speed Oven can brown and crisp with Inverter technology enables the Oven to cook or heat the food quickly and uniformly while consuming less energy. Apart from its impressive performance, Midea **FLASHCHEF™** High Speed Oven user-friendly. 8" HD TFT touch screen, largest screen in its class, offers the user more content with clearer display. The intuitive and scrollable control panel with auto-top menu function provides phone-like operation, eliminating operating and language barriers. Built-in cavity light allows the users to check the food with brighter view and for maintenance. With all these features and functions, Midea **FLASHCHEF™** High Speed Oven is space-friendly with a large cavity that fits in a 12" (30cm) pizza easily. It can come with different styles to match various environments.



## STYLISH APPEARANCE

Large cavity accommodates a 12" pizza or sub sandwich with space friendly footprint. Stainless steel finish assures easy maintenance and great appearance.



## USER FRIENDLY OPERATION

8" HD TFT touchscreen is the largest in ITS class for easier reading. Icon driven display has phone-like functionality. Pre-loaded menu items for "out of the box" operation and proprietary software to easily upload your establishments items. Cavity light provides bright interior viewing and air filters are easily removed and replaced for maintenance.



## OUTSTANDING COOKING PERFORMANCE

Dual impingement for ultra fast browning and crisping on both sides of the food. dual magnetron for high and consistent MW power output to save heating time. Magnetrons are "inverter" controlled for maximum control and continuous flow of cooking energy. (No "ON-OFF-ON" MW in the lower power settings). Oven arrives pre-programmed with 45 typical items under 6 menu headings and will accept a total of 1000 of your own items through our proprietary "FLASHCHEF®" software (that runs on your PC or MAC).

# New! Product

**FLASHCHEF™ SCAN&GO™**

## PROFESSIONAL KITCHEN SERIES

### BORN TO BE PROFESSIONAL.

Midea **FLASHCHEF™**, an exclusive lineup of professional cooking appliances that focuses on the needs of commercial environment : efficiency, simplicity and durability.

Compared to ordinary cooking appliances, **FLASHCHEF™** offers remarkable performance contributed to our devoted effort on research & development of high-standard platforms specially designed for commercial situations.

From convenience stores, office pantries or café, to commercial kitchens, chain stores or stadiums, **FLASHCHEF™** will surely meet and surpass your high expectation with its ultra-efficient performance, effortless operation and impressive durability.



**SCAN&GO MICROWAVE**



### SCAN TO COOK:

Your customer can scan the food's barcode and start with one button. Automatically cooks to the best result with Midea **SCAN&GO™** microwave oven.



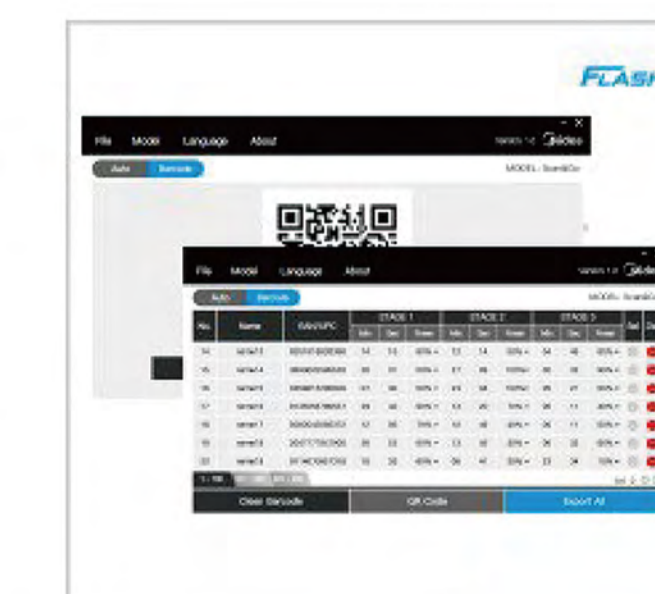
### SCAN TO PROGRAM:

Your employee can set the cooking program by "easy scan" with Midea **SCAN&GO™** microwave oven.



### SELF-SERVICE, TIME AND LABOR SAVING:

Scan the foods' barcode and cook automatically to take the guess work out of operating and heating and save your customer time.



### MANAGEMENT WITH FLASHTUNE:

You can change built-in auto menus freely, edit stage cooking process intuitively and setup the machine directly on PC/Mac with the software FlashTune for different choices.

# Midea Commercial Microwave Ovens

## Scan&Go Microwave - Touch control

SCAN&GO™ 1217G1S 1200W

### Features and Benefits

#### Super Consistent & Professional Cooking

- + 1200 Watts of power with top and bottom energy feed, get your food ready in a FLASH!
- + 11 power levels and 3 cooking stages for different cooking demands.
- + 100 auto menus and up to 1 hour of cooking time, covering most recipes.
- + 900 barcode menus ensure ultimate flexibility for customized cooking demands.

#### Super Durable & Reliable Use

- + Large capacity (0.6 cu.ft./17L) with oven cavity light, monitoring cooking status clearly.
- + Stainless steel body and cavity, withstanding the demands of a commercial environment.
- + Grab n'Go door handle with no moving part, extending life span.

#### Super Easy & Handy Operation

- + Build-in scanner for ultimate ease of cooking setup, even for self-service locations.
- + Laser scanner and USB port for effortless and consistent menu customization.
- + Removable splatter shield and air intake filter for easy cleaning and maintenance.

#### Super Efficient Management With FLASHTUNE™

\* Function varies on different models/products. More functions are on the way with continuous update.

The secret of efficiency lies in the QR codes or program file generated by the tailor-made software FlashTune, with which you can:

- + Add, edit or delete built-in auto menus.
- + Edit stage cooking process intuitively with clear visual guidance.
- + Setup the machine directly on PC/Mac instead of scrolling around on the display of the machine.



### Specifications

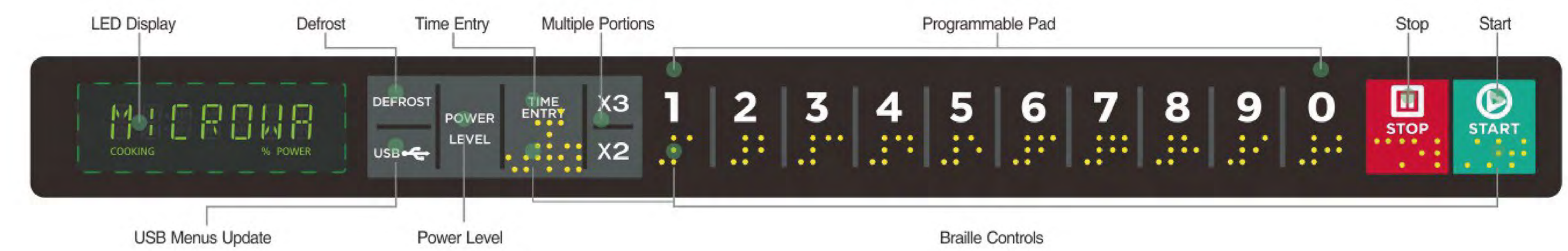
- + Cavity: 0.6 cu.ft. /17 L
- + Output power: 1200 W
- + Membrane touch control
- Double magnetrons
- + Stainless steel cabinet and cavity
- + Power supply: 120V 20A
- + Gross weight: 32 kg (70.5 lbs)
- + Product dimensions (WxDxH): 563 × 420 × 340mm (22.2 × 16.5 × 13.4 inches)
- + Box dimensions (WxDxH): 640 x 507 x 416 mm (25.2 x 20.0 x 16.4 inches)

### 1200 Watts of cooking power and easily cooks large portions

Chicken noodle soup  
Power suggested: 1200 Watt



9 oz. chicken noodle soup can be cooked within one and a half minutes



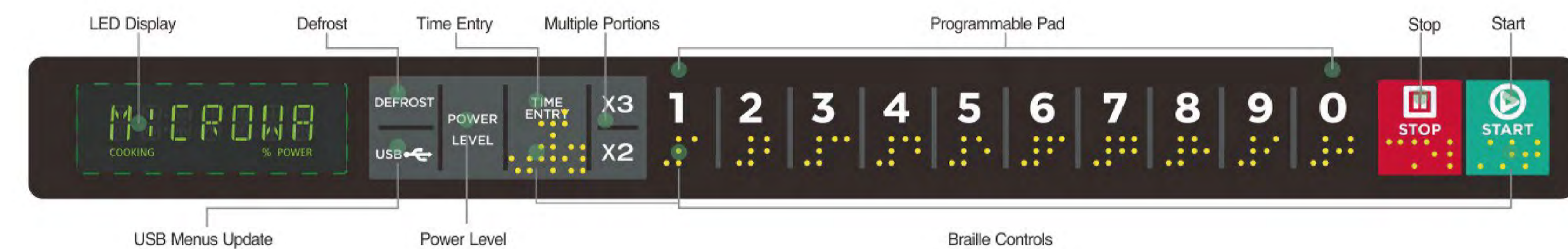


# Midea Commercial Microwave Ovens Heavy Duty 17 L Series - Touch control

2117G1A 2100W 1217G1A 1200W  
1817G1A 1800W

## Features and Benefits

- + Suitable for a 6" tall 1/2 Pan with Cover or 13" Platter
- + Fast cooking and reheating with 1200 - 2100 Watts of cooking power
- + Double rotating antenna providing efficient energy distribution for reliable heating results
- + Able to withstand the demands of the food service environment with stainless steel cabinet and oven cavity
- + 100 programmable menu items, 3 cooking stages and 11 microwave power levels
- + Stackable installation for increased space availability on counter or working area
- + Removable splatter shield for easy cleaning
- + USB Port for programming ease and oven-to-oven consistency
- + ADA compliant braille controls and door handle



## Specifications

- + Cavity: 0.6 cu.ft. /17 L
- + Output power: 1800 - 2100 W
- + Membrane touch control
- + Double magnetrons
- + Stainless steel cabinet and cavity
- + Power supply: 120V 20A for 1217G1A
- + Power supply: 208/230-240V 20A for 1817 and 2117G1A
- + Gross weight: 32 kg (70.5 lbs)
- + Product dimensions (WxDxH): 563 x 420 x 340mm (22.2 x 16.5 x 13.4 inches)
- + Box dimensions (WxDxH): 640 x 507 x 416 mm (25.2 x 20.0 x 16.4 inches)

## USB Upgradable Menu System

For menus customization



## Fast cooking and reheat with 1200 - 2100 Watts of cooking power

**Beef broth**  
Power suggested: 1800 Watt



9 oz. of beef broth can be re-heated at serving temperature in 1 minute.

**Shrimp**  
Power suggested: 2100 Watt



6 oz. of shrimp can be easily cooked in one and a half minutes.

**Salmon steaks**  
Power suggested: 2100 Watt



9 oz. of salmon steak will be cooked in 5 minutes and reheated in 1 minute.

**Scrambled eggs with bacon**  
Power suggested: 1800 Watt



9 oz. of scrambled eggs can be prepared in 3 minutes.



# Midea Commercial Microwave Ovens Heavy Duty 34 L Series - Touch control

2134G1A 2100W  
1834G1A 1800W

## Features and Benefits

- + Suitable for a 14" (356 mm) platter.
- + Faster cooking and reheating with 1800 - 2100 Watts of cooking power
- + Double rotating antenna providing efficient energy distribution for reliable heating results
- + Able to withstand the demands of the food service environment with stainless steel cabinet and oven cavity
- + 100 programmable menu items, 3 cooking stages and 5 microwave power levels
- + Removable, cleanable air filter
- + ADA compliant braille controls and door.

## Specifications

- + Cavity: 1.2 cu.ft. / 34 L
- + Output power: 1800 - 2100 W
- + Double magnetrons
- + Membrane touch control
- + Stainless steel cabinet and cavity
- + Power supply: 20A208V/230V60Hz
- + Gross weight: 34.3 kg (75.6 lbs)
- + Product dimensions (WxDxH):  
574.2 x 528.4 x 367.5 mm (22.6 x 20.8 x 14.5 inches)
- + Box dimensions (WxDxH):  
641 x 559 x 451 mm (25.2 x 22.0 x 18.1 inches)

## 1800 - 2100 Watts of cooking power and easily cooks large portions

**Perch fillets**  
Power suggested: 1800 Watt



8 oz. perch fillets can be cooked  
within 1 minute

**Chicken noodle soup**  
Power suggested: 1800 Watt



9 oz. chicken noodle soup can  
be cooked within 1 minute

**Beef thawing**  
Power suggested: 2100 Watt,  
20% power level



4 lbs. of beef can be thawed in  
approx. 12 minutes



# Midea Commercial Microwave Ovens Medium Duty 34 L Series - Touch control

1234G1A 1200W

## Features and Benefits

- + Large capacity (1.2 cu.ft. / 34 L) accommodates a 14" (356 mm) platter.
- + Faster cooking and reheating with 1200 Watts of cooking power
- + Double rotating antenna providing efficient energy distribution for reliable heating results
- + Able to withstand the demands of the food service environment with stainless steel cabinet and oven cavity
- + 100 programmable menu items, 3 cooking stages and 5 microwave power levels
- + Removable, cleanable air filter
- + ADA compliant braille controls and door handle.

## Specifications

- + Cavity: 1.2 cu.ft. /34 L
- + Output power: 1200W
- + Double magnetrons
- + Membrane touch control
- + Stainless steel cabinet and cavity
- + Power supply: 120 V 60 Hz
- + Gross weight: 34.3 kg (75.6 lbs)
- + Product dimensions (WxDxH):  
574.2 x 528.4 x 367.5 mm (22.6 x 20.8 x 14.5 inches)
- + Box dimensions (WxDxH):  
641 x 559 x 451 mm (25.2 x 22.0 x 18.1 inches)

**1200 Watts of cooking power  
and easily cooks large portions**

Chicken noodle soup  
Power suggested: 1200 Watt



9 oz. chicken noodle soup can be cooked  
within one and a half minutes



# Midea Commercial Microwave Ovens

## Medium Duty 34 L Series - Touch control

1434N1A 1400W

### Features and Benefits

- + Large capacity (1.2 cu.ft./ 34 L), accommodates a 14" (356 mm) platter.
- + 1400 Watts of cooking power
- + Quick heating, consistent results
- + Able to withstand the demands of the food service environment with stainless steel cabinet and oven cavity
- + 100 programmable menu items, 3 cooking stages and 5 microwave power levels
- + Grab'n Go handle for reliable use, no moving parts
- + ADA compliant braille controls

### Specifications

- + Cavity : 1.2 cu.ft. / 34 L
- + Output power: 1400 W
- + Single magnetron
- + Membrane touch control
- + Stainless steel cabinet and cavity
- + Power supply: 20 A/230 V 60 Hz
- + Gross weight: 20 kg (40.1 lbs)
- + Product dimensions (WxDxH): 553 x 485 x 343 mm (21.8 x 19.1 x 13.5 inches)
- + Box dimensions (WxDxH): 628 x 541 x 403 mm (24.7 x 21.3 x 15.9 inches)

**1400 Watts of cooking power and easily cooks large portions**

**Ravioli**  
Power suggested: 1400 Watt

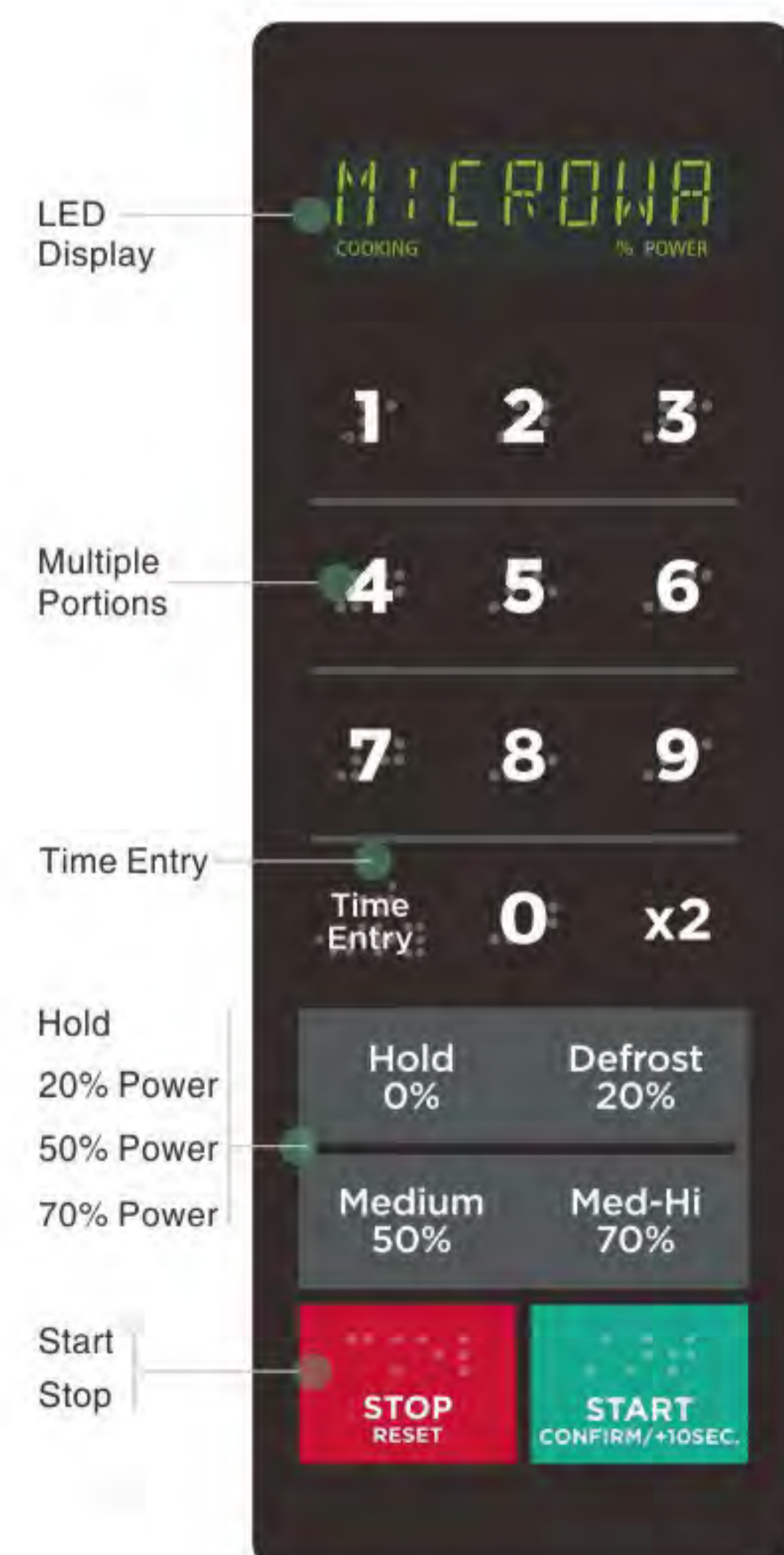


6 oz. ravioli can be prepared in 1 minute

**Chicken rice pilaf**  
Power suggested: 1400 Watt



4 oz. chicken rice pilaf can be prepared within 20 seconds



# Commercial Microwave ovens

## Medium Duty 34 L Series - Dial control

1434N0A 1400W

### Features and Benefits

- + Large capacity (1.2 cu.ft. / 34 L), accommodates a 14" (356 mm) platter.
- + 1400 Watts of cooking power
- + Quick heating, consistent results
- + Able to withstand the demands of the food service environment with stainless steel cabinet and oven cavity
- + Oven cavity light (incandescent) to enable easy control of dishes cooking status without opening the oven door
- + Stackable installation for increased space availability on counter or working area
- + Easy operation with 6 min Dial Timer and frequently-used menu guide

### Specifications

- + Cavity : 1.2 cu.ft / 34 L
- + Output power: 1400 W
- + Single magnetron
- + Dial control
- + Stainless steel cabinet and cavity
- + Power supply: 20 A/230V 60 Hz
- + Gross weight: 20 kg (40.1 lbs)
- + Product dimensions (WxDxH): 553 x 485 x 343 mm (21.8 x 19.1 x 13.5 inches)
- + Box dimensions (WxDxH): 628 x 541 x 403 mm (24.7 x 21.3 x 15.9 Inches)

**1400 Watts of cooking power and easily cooks large portions**

**Ravioli**  
Power suggested: 1400 Watt



6 oz. ravioli can be prepared in 1 minute

**Chicken rice pilaf**  
Power suggested: 1400 Watt



4 oz. chicken rice pilaf can be prepared within 20 seconds



# Midea Commercial Microwave Ovens Light Duty 34 L Series - Touch control

1034N1A 1000 W

## Features and Benefits

- + Large capacity (1.2 cu.ft./ 34 L), accommodates a 14" (356 mm) platter.
- + 1000 Watts of cooking power
- + Quick heating, consistent results
- + Able to withstand the demands of the food service environment with stainless steel cabinet and oven cavity
- + 100 programmable menu items, 3 cooking stages and 5 microwave power levels
- + Grab'n Go handle for reliable use, no moving parts
- + ADA compliant braille controls and door handle

## Specifications

- + Cavity : 1.2 cu.ft. / 34 L
- + Output power: 1000 W
- + Single magnetron
- + Membrane touch control
- + Stainless steel cabinet and cavity
- + Power supply: 15 A/120V 60 Hz
- + Gross weight: 20 kg (40.1 lbs)
- + Product dimensions (WxDxH):  
553 x 485 x 343 mm (21.8 x 19.1 x 13.5 inches)
- + Box dimensions (WxDxH):  
628 x 541 x 403 mm (24.7 x 21.3 x 15.9 inches)

**1000 Watts of cooking power  
and easily cooks large portions**

**Ravioli**  
Power suggested: 1000 Watt

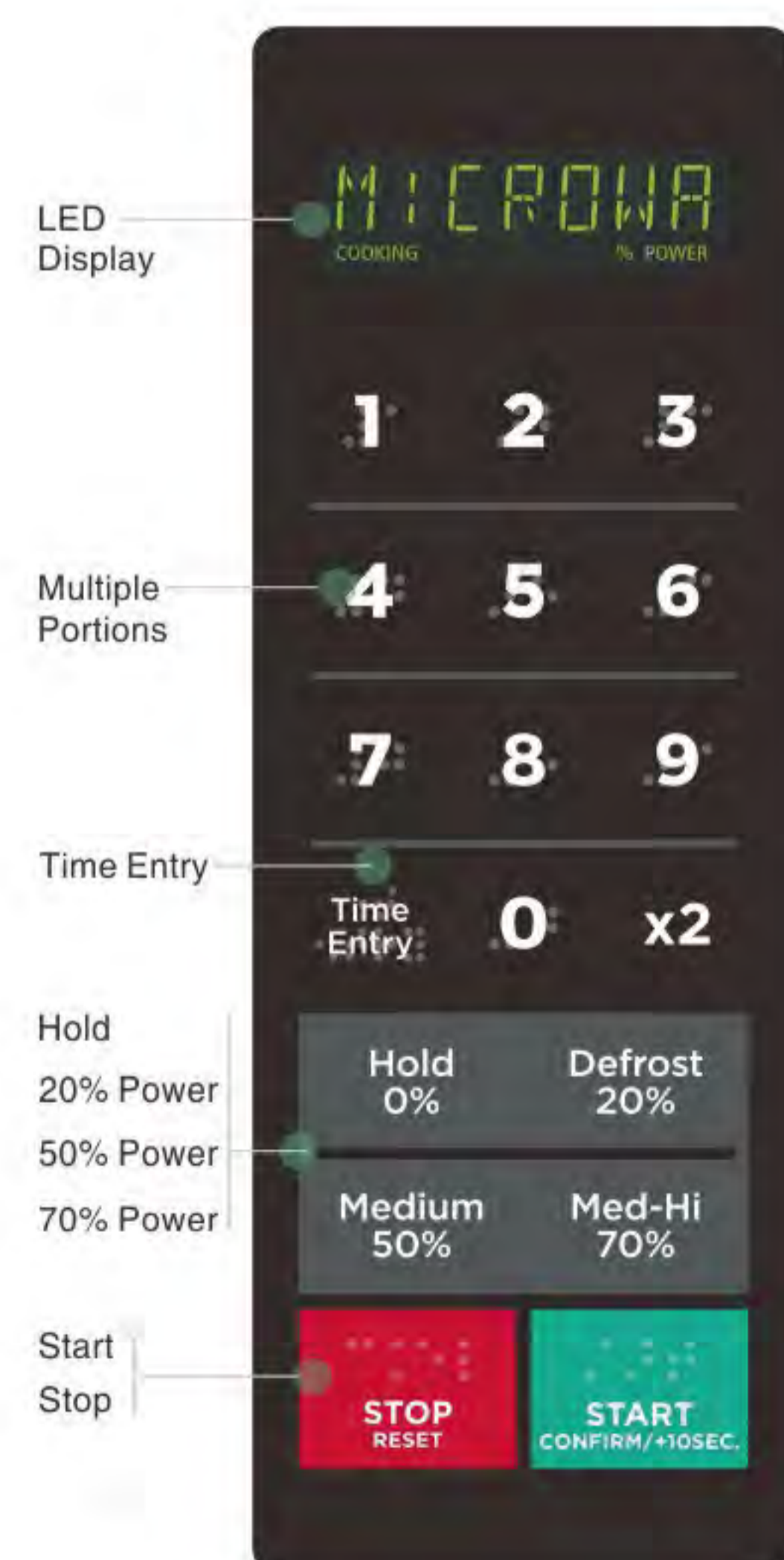


6 oz. ravioli can be prepared in one and a half minutes

**Chicken rice pilaf**  
Power suggested: 1000 Watt



4 oz. chicken rice pilaf can be prepared within 30 seconds



# Commercial Microwave ovens Light Duty 34 L Series - Dial control

1034N0A 1000W

## Features and Benefits

- + Large capacity (1.2 cu.ft. / 34 L), accommodates a 14" (356 mm) platter.
- + 1000 Watts of cooking power
- + Quick heating, consistent results
- + Able to withstand the demands of the food service environment with stainless steel cabinet and oven cavity
- + Oven cavity light (incandescent) to enable easy control of dishes cooking status without opening the oven door
- + Stackable installation for increased space availability on counter or working area
- + Easy operation with 6 min Dial Timer and frequently-used menu guide

## Specifications

- + Cavity : 1.2 cu.ft / 34 L
- + Output power: 1000 W
- + Single magnetron
- + Dial control
- + Stainless steel cabinet and cavity
- + Power supply: 15 A/120 V 60 Hz
- + Gross weight: 20 kg (40.1 lbs)
- + Product dimensions (WxDxH): 553 x 485 x 343 mm (21.8 x 19.1 x 13.5 inches)
- + Box dimensions (WxDxH): 628 x 541 x 403 mm (24.7 x 21.3 x 15.9 Inches)

**1000 Watts of cooking power  
and easily cooks large portions**

**Ravioli**  
Power suggested: 1000 Watt



6 oz. ravioli can be prepared in one and a half minutes

**Chicken rice pilaf**  
Power suggested: 1000 Watt



4 oz. chicken rice pilaf can be prepared within 30 seconds



# Midea Commercial Microwave ovens Light Duty 25 L Series - Touch control

1025F1A 1000W

## Features and Benefits

- + Medium capacity (0.9 cu.ft./ 25 L); accommodates a 12" (305 mm) platter
- + Able to withstand the demands of the food service environment with stainless steel cabinet and oven cavity
- + Maximum cooking time 60:00
- + Removable lamp splatter shield for easy cleaning
- + Grab'n Go handle for reliable use, no moving parts
- + Memory and quick start function
- + ADA compliant braille controls and door handle

## Specifications

- + Cavity : 0.9 cu.ft. / 25 L
- + Output power: 1000 W
- + Membrane touch control
- + Single magnetron
- + Stainless steel cabinet and cavity
- + Power supply: 15 A/120V 60 Hz
- + Gross weight: 16.5 kg (36.4 lbs)
- + Product dimensions (WxDxH):  
511 x 432 x 311 mm (20.1 x 17.0 x 12.3 inches)
- + Box dimensions (WxDxH):  
581 x 478 x 380 mm (22.9 x 18.8 x 15.0 inches)

**1000 Watts of cooking power  
quick heating, consistent results**

### Lasagna

Power suggested: 1000 Watt



One ½ Pan of lasagna can be cooked within 20 minutes and preheated in 3 minutes

### Nachos

Power suggested: 1000 Watt



10 oz. nachos can be reheated within 2 minutes





# Midea Commercial Microwave ovens Light Duty 25 L Series - Dial control

1025F0A 1000W

## Features and Benefits

- + Medium capacity (0.9 cu.ft./ 25 L), accommodates a 12" (305 mm) platter
- + Able to withstand the demands of the food service environment with stainless steel cabinet and oven cavity
- + Removable lamp splatter shield for easy cleaning
- + Oven cavity light (incandescent) to enable easy control of dishes cooking status without opening the oven door
- + Grab'n Go handle for reliable use, no moving parts
- + Easy to control with 6 min Dial Timer and frequently-used menu guide

## Specifications

- + Cavity : 0.9 cu.ft. / 25 L
- + Output power: 1000 W
- + Dial control
- + Single magnetron
- + Stainless steel cabinet and cavity
- + Power supply: 15 A/120V 60 Hz
- + Gross weight: 16.5 kg (36.4 lbs)
- + Product dimensions (WxDxH): 511 x 432 x 311 mm (20.1 x 17.0 x 12.3 Inches)
- + Box dimensions (WxDxH): 581 x 478 x 380mm (22.9 x 18.8 x 15.0 inches)

## 1000 Watts of cooking power quick heating, consistent results

**Cheeseburger (boost heat)**  
Power suggested: 1000 Watt



9 oz. cheeseburger can be reheated within 30 seconds

**Sandwich**  
Power suggested: 1000 Watt

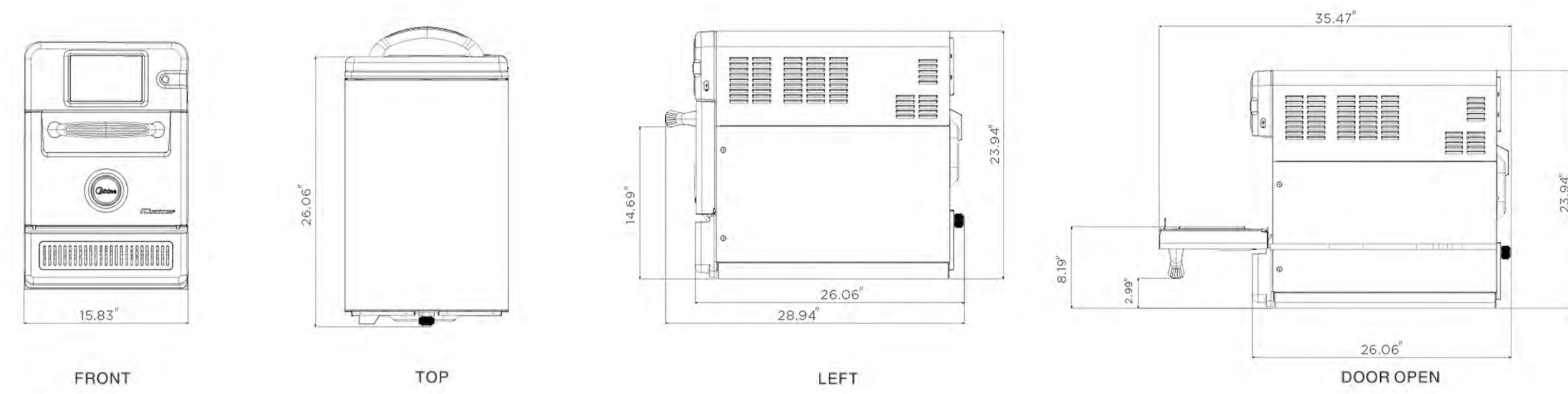


8 oz. sandwich can be reheated within 1 minute



# Assembly

\* all measurements in inch



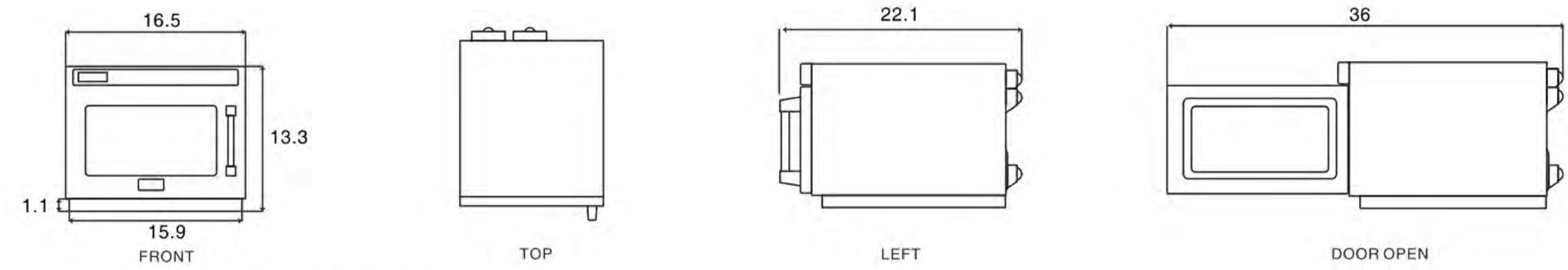
FRONT

TOP

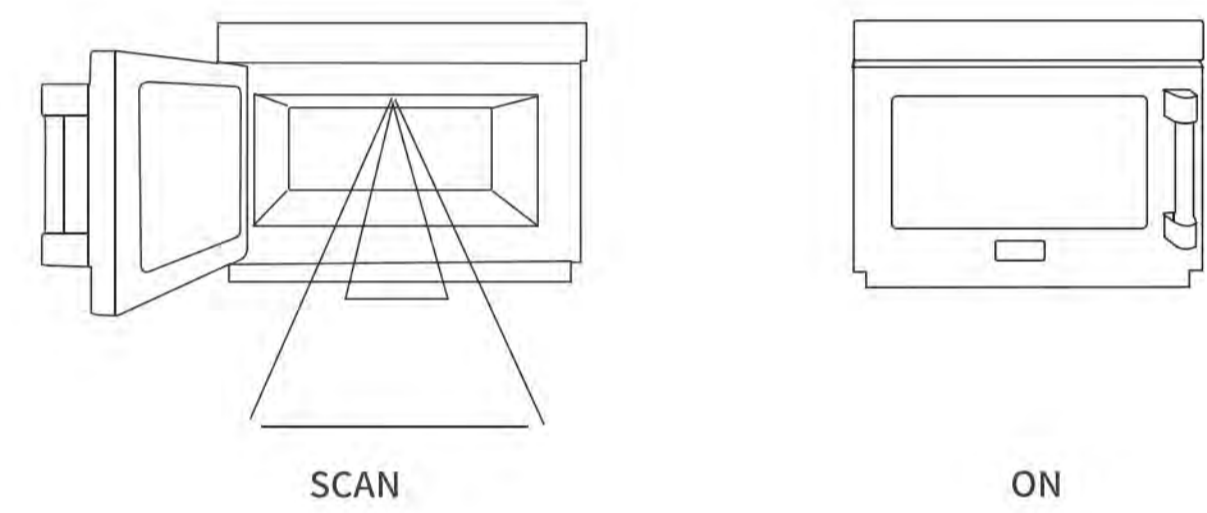
LEFT

DOOR OPEN

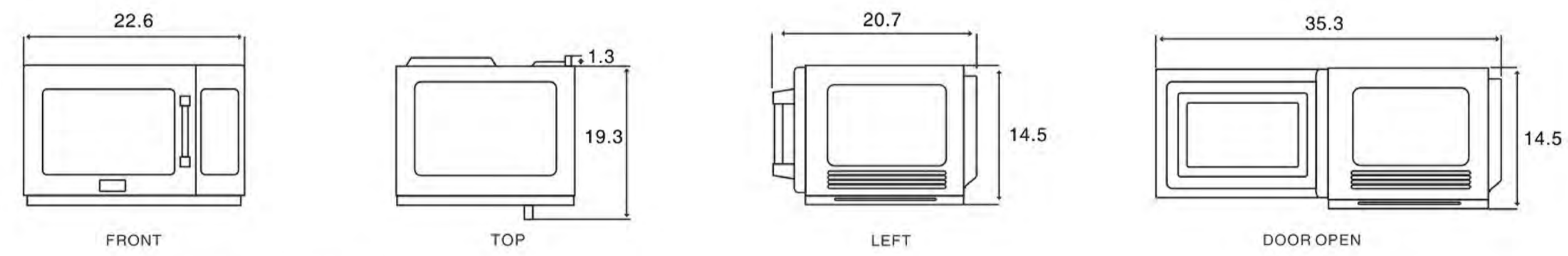
HSO G1



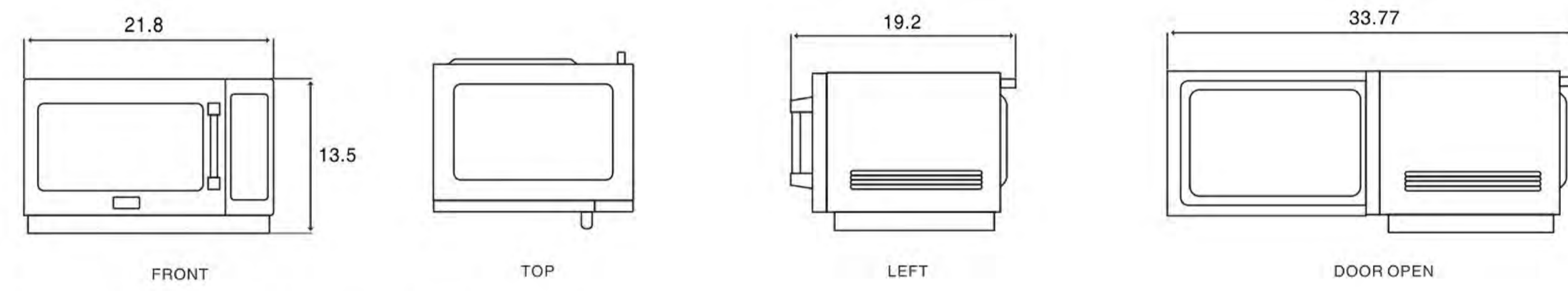
2117G1A / 1817G1A / 1217G1A



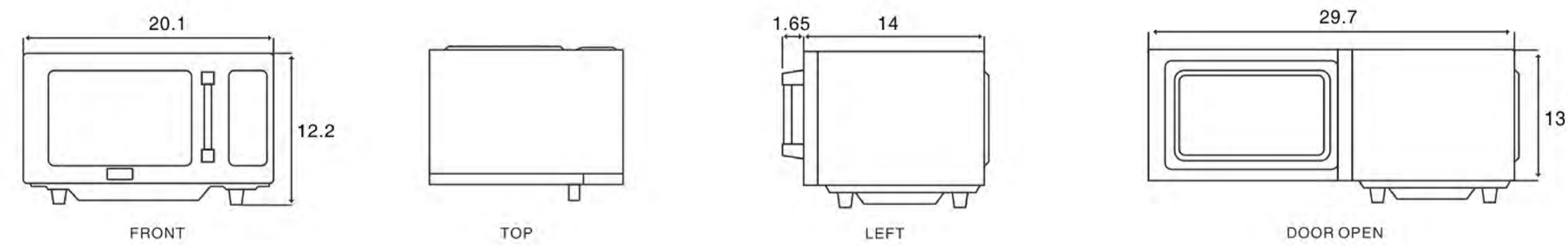
1217G1S Scan&Go



2134G1A / 1834G1A / 1234G1A



1434N1A / 1434N0A / 1034N1A / 1034N0A



1025F1A / 1025F0A



**Gino Iacovella**  
Director of Business Development  
Commercial Kitchen Appliance Division  
Gino.iacovella@midea.com  
C : + 1-201-220-2171  
300 Kimball Drive Suite 100 Parsippany, NJ 07054

**Rex Ou**  
HEAD OF COMMERCIAL KITCHEN EQUIPMENT SALES DEPARTMENT  
MIDEA MICROWAVE & CLEANING APPLIANCES DIVISION NO 6 .  
YONGAN RD . BEIJIAO . SHUNDE FOSHAN . GUANGDONG  
528311 CHINA  
MOBILE : + 86 13924846338  
WHATSAPP : + 86 13924846338  
WECHAT / QQ : RE19901010  
EMAIL : shihao.ou@midea.com

<https://www.midea.com/us/Commercial-Kitchen>